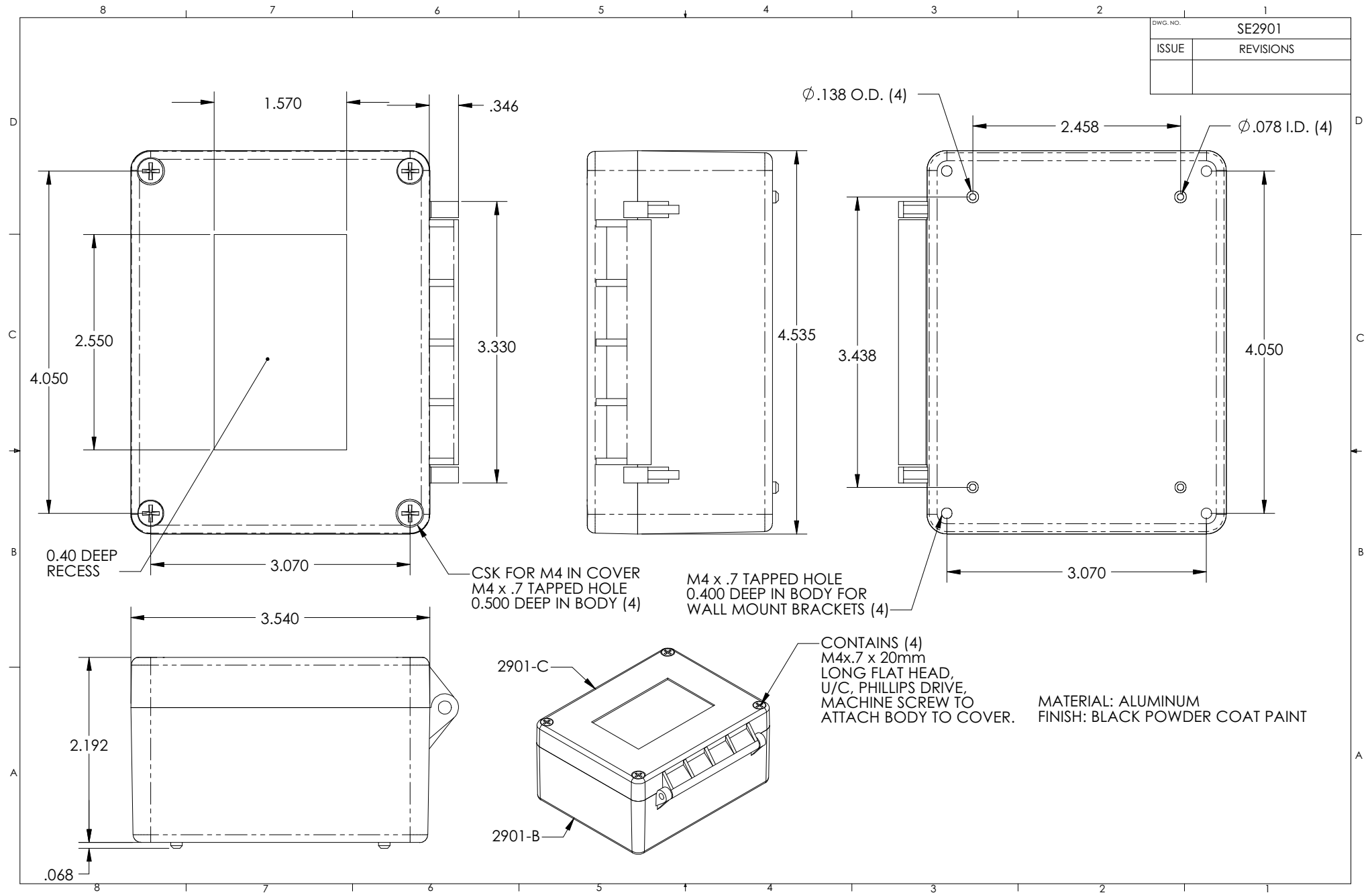


DWG. NO.	SE2901
ISSUE	REVISIONS



CSK FOR M4 IN COVER
M4 x .7 TAPPED HOLE
0.500 DEEP IN BODY (4)

M4 x .7 TAPPED HOLE
0.400 DEEP IN BODY FOR
WALL MOUNT BRACKETS (4)

CONTAINS (4)
M4x.7 x 20mm
LONG FLAT HEAD,
U/C, PHILLIPS DRIVE,
MACHINE SCREW TO
ATTACH BODY TO COVER.

MATERIAL: ALUMINUM
FINISH: BLACK POWDER COAT PAINT

