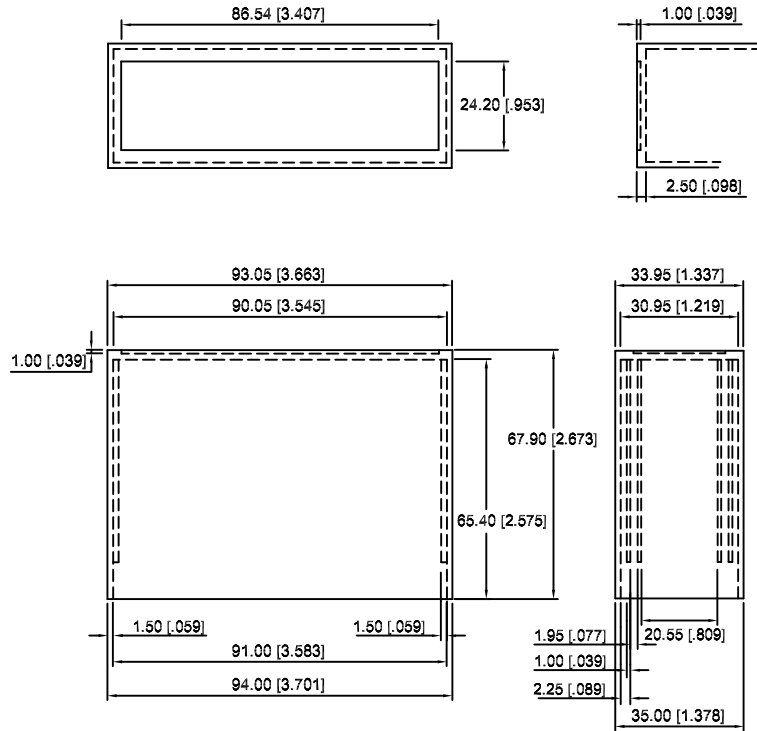
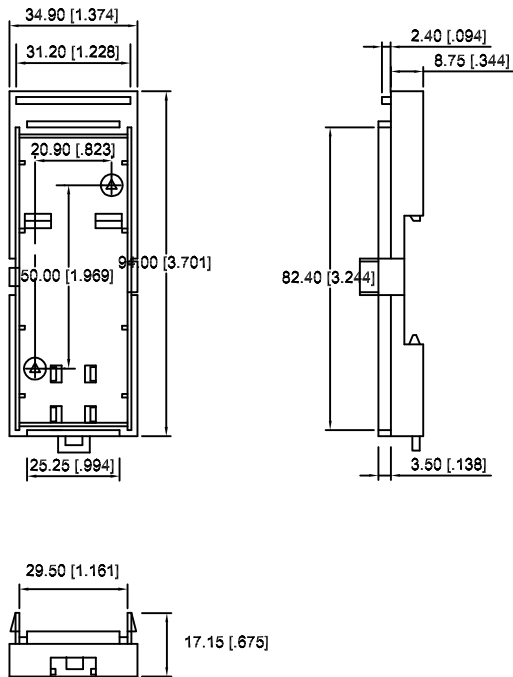


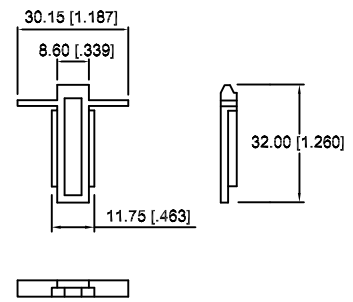
# HOUSING



# BASE



# DIN RAIL CLIP



|                                |                        |                            |          |
|--------------------------------|------------------------|----------------------------|----------|
| <b>JIT</b><br>Components, Inc. |                        | www.jit-components.com     |          |
|                                |                        | DR1435<br>ENCLOSURE LAYOUT |          |
| 1. TITLE BLOCK                 | 2. PLACE DECIMALS (IN) | 3. DESIGNER                | DATE     |
| 4. PLACE DECIMALS (MM)         | 5. CHECKED             | JRK                        | 11/14/00 |
| 6. SHEET                       | 7. SCALE               | 10F1                       |          |
| 8. PART #                      | 9. DATE                |                            |          |
| 10. TYPICAL                    | 11. PART #             |                            |          |