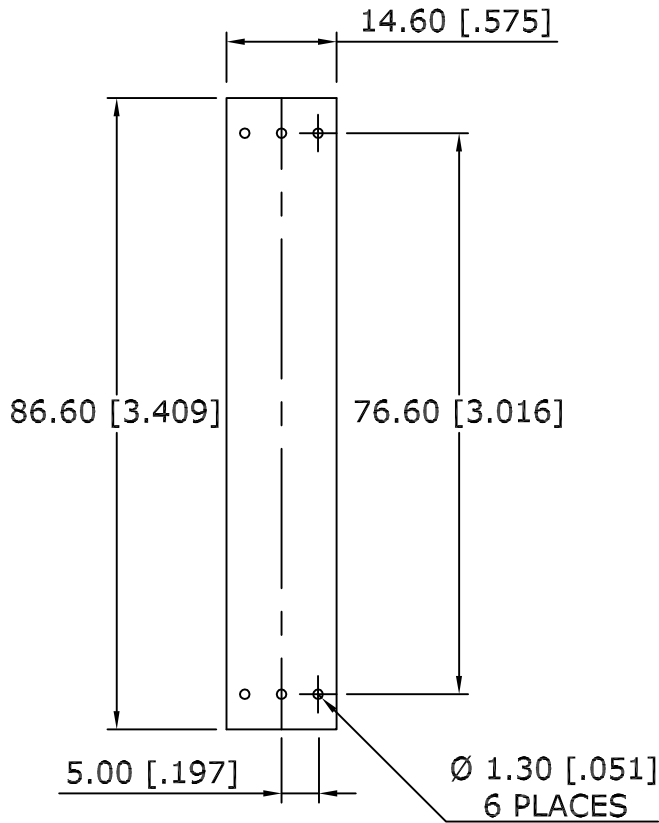
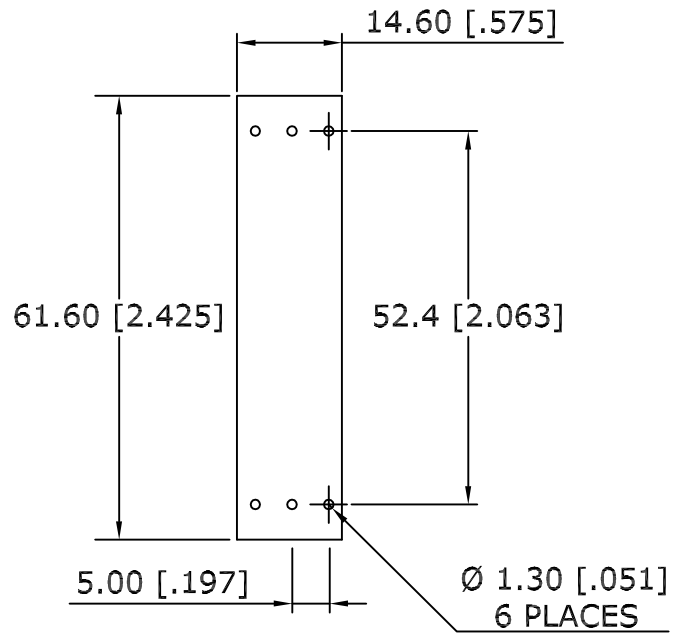


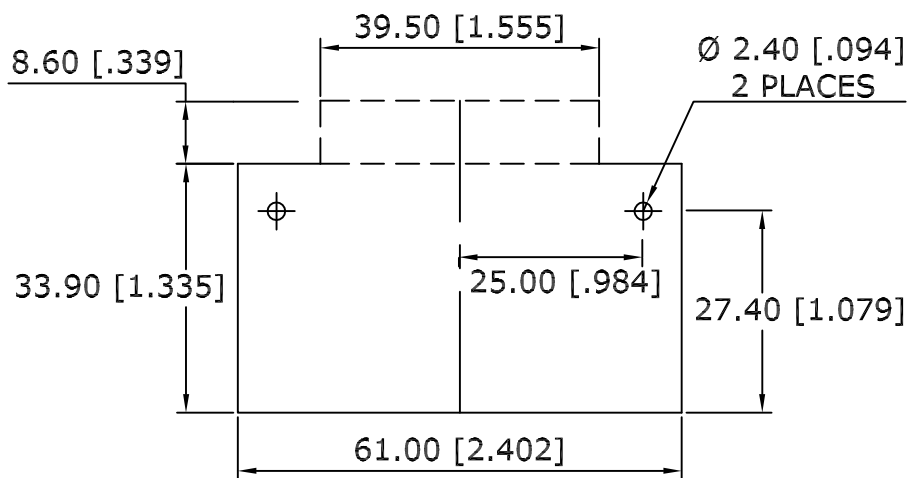
BASE PCB



TOP PCB



SIDE PCB



JIT
Components, Inc.

www.jit-components.com

DR175
PCB DIMENSIONS

TOLERANCES UNLESS OTHERWISE SPECIFIED	DESIGNER	DATE
2 PLACE DECIMALS (IN) ± .02	JRK	11/14/00
3 PLACE DECIMALS (IN) ± .005	SHEET	SCALE
4 PLACE DECIMALS (IN) ± .0005	10F1	
ANGLES ± .5°	PART #	
METRIC (MM) ± .15		