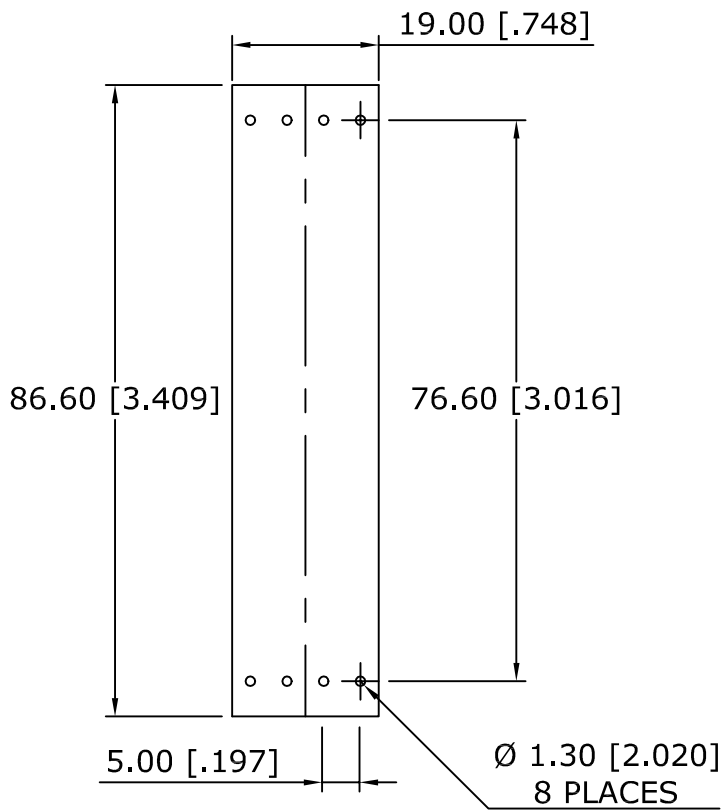
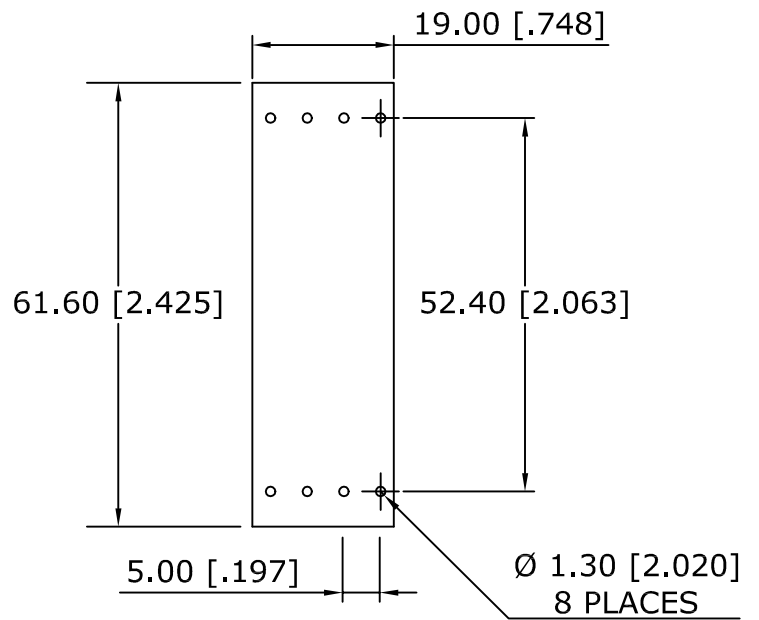


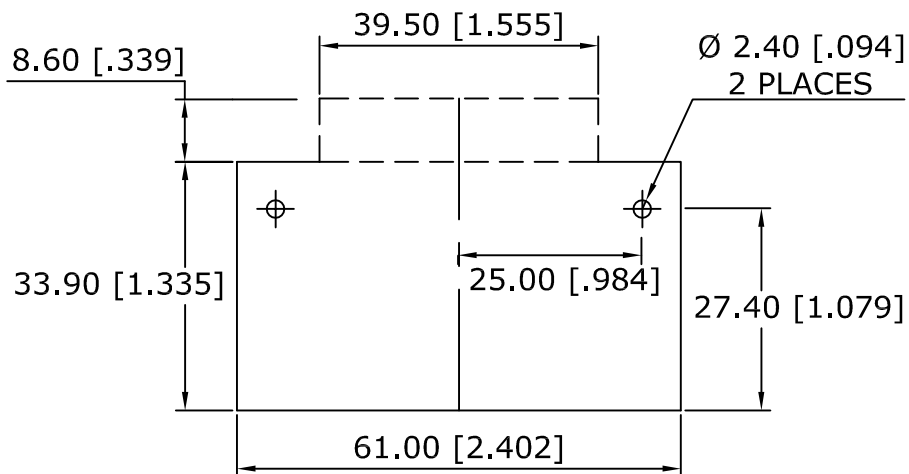
BASE PCB



TOP PCB



SIDE PCB



REV	DATE	DESCRIPTION	BY	www.jit-components.com		
				JIT Components, Inc.		
				DR225 PCB DIMENSIONS		
				TOLERANCES UNLESS OTHERWISE SPECIFIED 2 PLACE DECIMALS (IN) ± .02 3 PLACE DECIMALS (IN) ± .005 4 PLACE DECIMALS (IN) ± .0005 ANGLES ± .5° METRIC (MM) ± .15	DESIGNER JRK SHEET 10F1	DATE 11/14/00 SCALE REV