



JIT Components, Inc

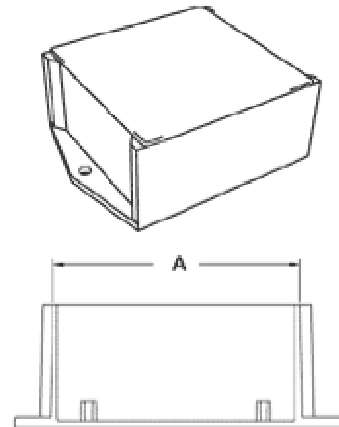
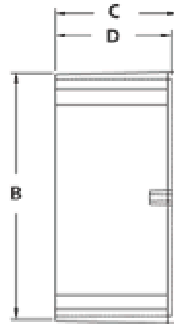
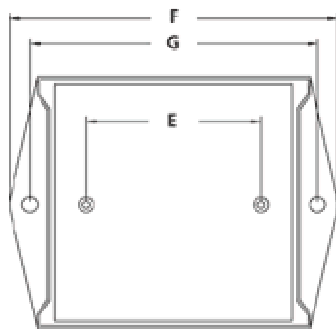
10930 Endeavour Way, Unit A Seminole, FL 33777

Phone: (727)544-9050 Fax: (727)544-9273

Email: service@jit-components.com

JIT Series JBF

- Includes case only. Cover ordered separately
- Molded in flame retardant ABS.
- Flammability: UL94 V0
- Color: Black
- Some sizes available with PCB mounting bosses. "MB" in number denotes mounting bosses
- Surface: polished finish.
- Custom perforating and printing also available.



Catalog Number	Length A	Width B	Height C	Inside Depth D	PCB Bosses E	Mtg. Boss Height	Mtg. Flange Length F	Mtg. Flange Holes G	Catalog Number Cover
JBF-010175	1.000	1.000	0.750	0.685			1.880	1.375	C-0101
JBF-150275	2.000	1.500	0.750	0.690			3.000	2.500	C-1502
JBF-150201	2.000	1.500	1.000	0.940			3.000	2.500	C-1502
JBF-150212	2.000	1.500	1.250	1.190			3.000	2.500	C-1502
JBF-020208	2.000	2.000	0.875	0.805			3.000	2.500	C-0202
JBF-020210	2.000	2.000	1.060	1.000			3.000	2.500	C-0202
JBF-020215	2.000	2.000	1.500	1.430			3.000	2.500	C-0202
JBF-020305	3.000	2.000	0.500	0.440			4.000	3.500	C-0203
JBF-020305MB	3.000	2.000	0.500	0.440	2.125	0.250	4.000	3.500	C-0203
JBF-020308	3.000	2.000	0.875	0.815			4.000	3.500	C-0203
JBF-020308MB	3.000	2.000	0.875	0.815	2.125	0.250	4.000	3.500	C-0203
JBF-020310	3.000	2.000	1.000	0.940			4.000	3.500	C-0203
JBF-020310MB	3.000	2.000	1.000	0.940	2.125	0.250	4.000	3.500	C-0203
JBF-020315	3.000	2.000	1.500	1.430			4.000	3.500	C-0203
JBF-020315MB	3.000	2.000	1.500	1.430	2.125	0.250	4.000	3.500	C-0203
JBF-030308	3.000	3.000	0.875	0.790			4.000	3.500	C-0303
JBF-030308MB	3.000	3.000	0.875	0.790	2.125	0.250	4.000	3.500	C-0303
JBF-030315	3.000	3.000	1.500	1.405			4.000	3.500	C-0303
JBF-030315MB	3.000	3.000	1.500	1.405	2.125	0.250	4.000	3.500	C-0303
JBF-060210	6.312	2.300	1.031	0.970			7.250	6.750	C-0602
JBF-060210MB	6.312	2.300	1.031	0.970	5.625X1.625	0.250	7.250	6.750	C-0602