



JIT Components, Inc

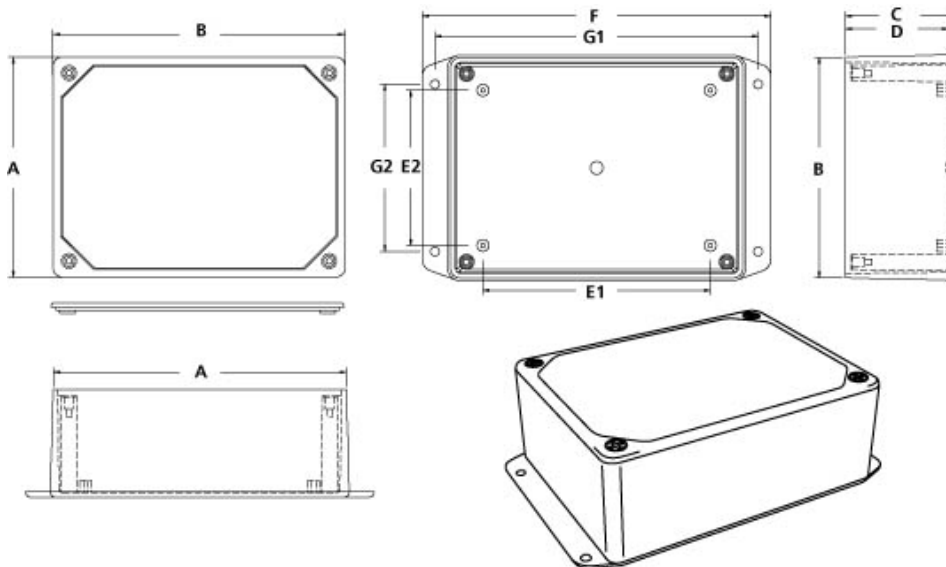
10930 Endeavour Way, Unit A Seminole, FL 33777

Phone: (727)544-9050 Fax: (727)544-9273

Email: service@jit-components.com

JIT Series JDC

- Molded in flame retardant ABS.
- Colors: Black, Gray, PC Bone.
- Flush, textured or recessed, smooth covers.
- Textured finish.
- Available with or without mounting feet.
- Custom perforating and printing also available.



Catalog Number	Length A	Width B	Height C	Inside Depth D	PCB Bosses		Mtg. Feet Length F	Mtg. Feet Holes	
					E1	E2		G1	G2
JDC-34P	4.610	3.100	1.770	1.670	3.250	1.750			
JDC-34F	4.610	3.100	1.770	1.670	3.250	1.750	5.770	5.250	2.250
JDC-44P	4.620	4.620	2.255	2.155	3.250	3.250			
JDC-44F	4.620	4.620	2.255	2.155	3.250	3.250	5.775	5.250	3.500
JDC-46P	6.125	4.620	2.255	2.155	4.750	3.250			
JDC-46F	6.125	4.620	2.255	2.155	4.750	3.250	7.285	6.750	3.500
JDC-47P	7.620	4.620	2.255	2.155	6.250	3.250			
JDC-47F	7.620	4.620	2.255	2.155	6.250	3.250	8.790	8.250	3.500
JDC-58P	8.250	5.000	3.000	2.890	6.750	3.250			
JDC-58F	8.250	5.000	3.000	2.890	6.750	3.250	9.375	8.875	3.375
JDC-85P	8.250	5.000	4.330	4.080	6.750	3.500			
JDC-85F	8.250	5.000	4.330	4.080	6.750	3.500	9.375	8.875	3.375
JDC-96P	10.000	6.000	3.000	2.895	8.500	4.500			
JDC-96F	10.000	6.000	3.000	2.895	8.500	4.500	11.400	10.750	4.000

Mounting Boss Height - .250"