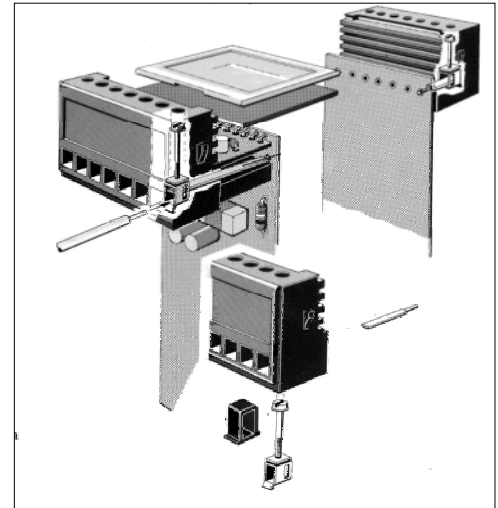


## JIT DR14 - 70 Terminal Block

- PCB terminal Blocks.
- For use with DR14 through DR70.
- Narrow or Wide Version.



### ELECTRICAL PROPERTIES:

#### DR14

Creepage	6.0mm
Air Distance	4.9mm
Max. Wire Size	12 AWG
Max. Load	20A

Creepage and Air Distance: VDE0110

#### DR16-70

Creepage	6.1mm
Air Distance	5.0mm
Max. Wire Size	12 AWG
Max. Load	20A

Creepage and Air Distance: VDE0110

### MATERIAL PROPERTIES:

Terminal Housing	Polycarbonate UL94 V1	
Screw Clamps	Steel	Yellow Chrome Plating
PCB Terminal Pins	Tin Bronze	Tin over Nickel Plating