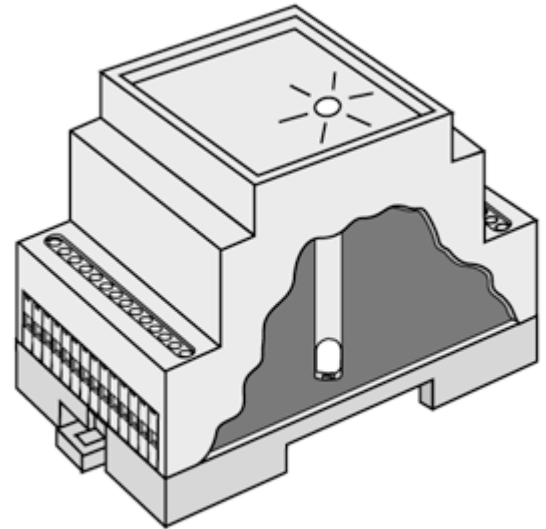


## JIT Light Conductor

- Clear PVC.
- Can be used with SMD or leaded 3mm diameter LED.
- For use with DR350, DR700, DR1050, DR1570 AND DR525.



LIGHT CONDUCTOR	ORDER CODE
For 3mm SMD	4972011259

