

JIT Components, Inc

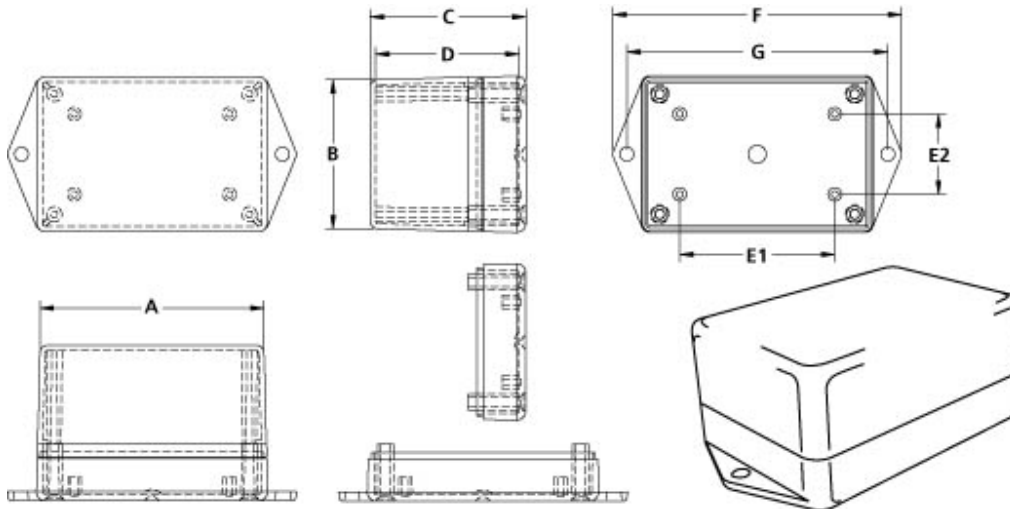
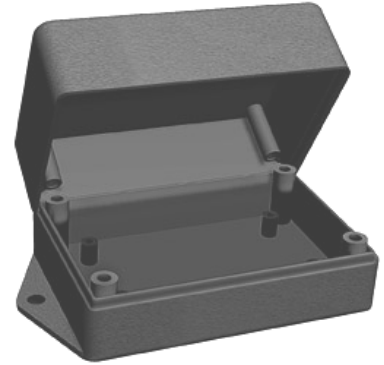
10930 Endeavour Way, Unit A Seminole, FL 33777

Phone: (727)544-9050 Fax: (727)544-9273

Email: service@jit-components.com

JIT Series JID

- Includes case, base and screws.
- Molded in flame retardant ABS.
- Colors: Black, Gray, PC Bone.
- Two piece screw together design.
- Textured finish.
- Available with or without mounting feet.
- Custom perforating and printing also available.



Catalog Number	Length A	Width B	Height C	Inside Depth D	PCB Bosses		Mtg Boss Height	Mtg. Feet Length F	Mtg. Feet Holes G
					E1	E2			
JID-1741P	4.000	1.750	1.270	1.120	3.100	.840	.230		
JID-1741F	4.000	1.750	1.270	1.120	3.100	.840	.230	4.875	4.500
JID-2309P	3.030	2.030	1.490	1.350	2.080	1.080	.250		
JID-2309F	3.030	2.030	1.490	1.350	2.080	1.080	.250	3.875	3.500
JID-2315P	3.000	2.000	2.090	1.950	2.080	1.080	.250		
JID-2315F	3.000	2.000	2.090	1.950	2.080	1.080	.250	3.875	3.500
JID-2409P	4.060	2.190	1.500	1.350	2.900	1.025	.230		
JID-2409F	4.060	2.190	1.500	1.350	2.900	1.025	.230	4.875	4.500
JID-2420P	4.000	2.125	2.600	2.420	2.900	1.025	.230		
JID-2420F	4.000	2.125	2.600	2.420	2.900	1.025	.230	4.875	4.500
JID-3315P	3.000	3.000	2.100	1.940	2.125	2.125	.230		
JID-3315F	3.000	3.000	2.100	1.940	2.125	2.125	.230	3.875	3.500
JID-3420P	4.375	3.125	2.700	2.500	3.300	2.050	.250		
JID-3420F	4.375	3.125	2.700	2.500	3.300	2.050	.250	5.500	5.000