



JIT Components, Inc

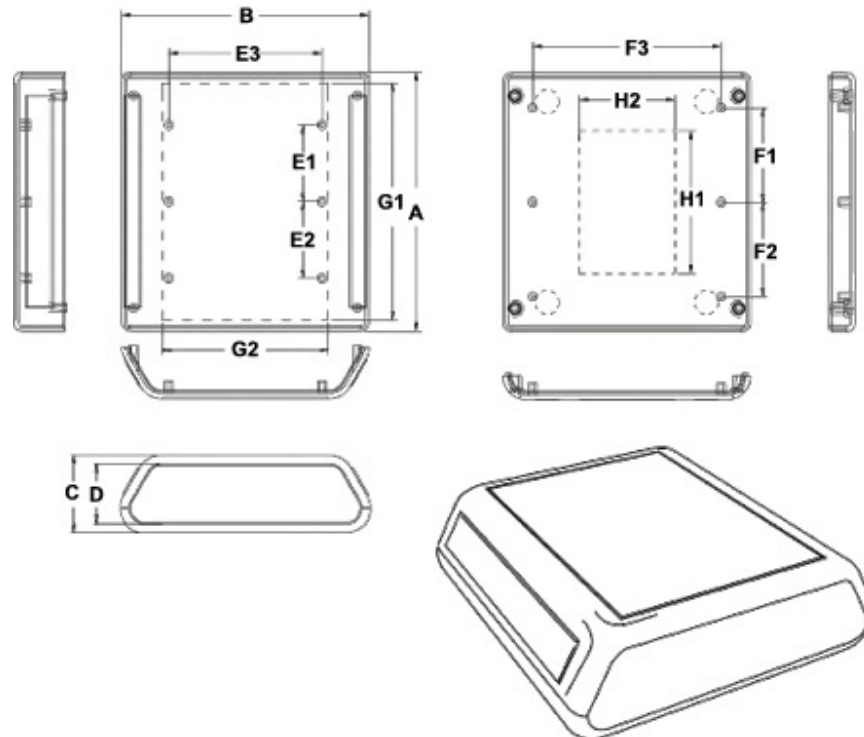
10930 Endeavour Way, Unit A Seminole, FL 33777

Phone: (727)544-9050 Fax: (727)544-9273

Email: service@jit-components.com

JIT Series JJB

- Case: flush, textured or .030" recessed.
- Molded in flame retardant ABS.
- Colors: Black, Bone, Light Gray.
- PCB mounting bosses.
- Textured finish surface.
- Closure: screw on.
- Removable end panels.
- Custom perforating and printing also available.



CAT NUM	L	W	H	H	PCB BOSSES CASE			PCB BOSSES BASE			MTG BOSS HEIGHT	GRAPHIC OVERLAY			
					E1	E2	E3	F1	F2	F3		CASE		BASE	
	A	B	C	D							G1	G2	H1	H2	
JJB35	5.000	3.800	1.500	1.270	1.625	1.625	1.750	1.750	1.750	2.500	.250	4.530	2.030	3.030	2.030
JJB55	5.500	5.250	1.630	1.400	1.625	1.625	3.250	2.000	2.000	4.000	.250	5.030	3.530	3.030	2.030
JJB65	6.750	6.250	1.630	1.400	2.250	2.250	4.250	2.625	2.625	5.000	.250	6.250	4.530	3.030	2.030