



# JIT Components, Inc

10930 Endeavour Way, Unit A Seminole, FL 33777

Phone: (727)544-9050 Fax: (727)544-9273

Email: [service@jit-components.com](mailto:service@jit-components.com)

## Profile PCB Holders DIN Rail or Panel Mount Universal Mounting for 73 and 108 MM Wide PCBs

**Profile PCB Holders** provides quick & easy mounting of PCBs on all three rails (35, 15, G) & Wall / Panel. Profiles are available in standard 1 or 2 Meter length or it can be easily cut to required custom lengths. Profiles are also available with custom length from us with accurate cutting. The typical applications of Profile PCB Holders include Mounting custom PCB and Standard interface modules for Din Connectors, Sub Miniature Din Connectors, Flat Cable Connectors also Modules like Relay modules, Opto - coupler modules, Switch modules, Fuse modules, Diode modules, Veristor Modules, Power supply modules, Over Voltage protection modules, Data Transmission & Receiver Modules, Analog/ Digital Converter etc.

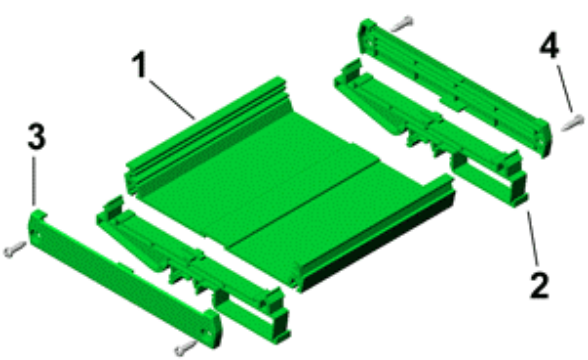
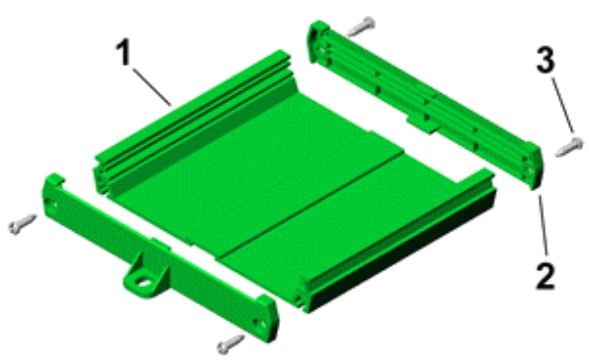
### Ordering Information

PHS - Profile PCB Holders -- 73mm width		PH - Profile PCB Holders -- 108mm width	
PHSCR-xxx.x	Rail Mount complete set ( Set consist of profile PHSE-xxx.x + 2 Nos. Foot Pieces PHSF + 2 Nos. End Piece Rail mount PHSR)	PHCR-xxx.x	Rail Mount complete set ( Set consist of profile PHE-xxx.x + 2 Nos. Foot Pieces PHF + 2 Nos. End Piece Rail mount PHR)
PHSCP-xxx.x	Panel Mount complete set ( Set consist of profile PHSE-xxx.x + 2 Nos. End Piece Panel mount PHSP)	PHCP-xxx.x	Panel Mount complete set ( Set consist of profile PHE-xxx.x + 2 Nos. End Piece Panel mount PHP)

### ACCESSORIES ( Loose Parts )

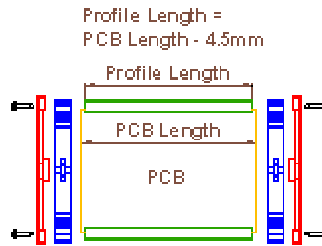
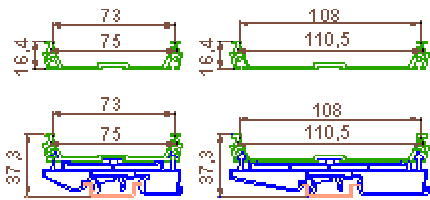
PHSE-xxx.x	Profile extrusion molded Custom Length ( xxx.x = length of profile in mm, i.e. xxx.x = 152.5 mm)	PHE-xxx.x	Profile extrusion molded Custom Length ( xxx.x = length of profile in mm, i.e. xxx.x = 152.5 mm)
PHSE-1000	Profile extrusion molded only 1 meter Length	PHE-1000	Profile extrusion molded only 1 meter Length
PHSE-2000	Profile extrusion molded only 2 meter Length	PHE-2000	Profile extrusion molded only 2 meter Length
PHSF	Foot Piece for rail mounting	PHF	Foot Piece for rail mounting
PHSR	End Piece for rail mounting	PHR	End Piece for rail mounting
PHSP	End Piece for Panel Mounting	PHP	End Piece for Panel Mounting

### Profile PCB Holders Parts

Rail Mount	Panel Mount
	
1. Profile - extrusion molded 2. Foot Piece 3. End Piece for Rail Mount 4. Screws	1. Profile - extrusion molded 2. End Piece for Panel Mount 3. Screws

## Detail Drawing

### Profile PCB Holders PHS-73mm PH-108mm



Centers For Panel Mounting = Unit Length L + 11.8mm

