

PART NAME

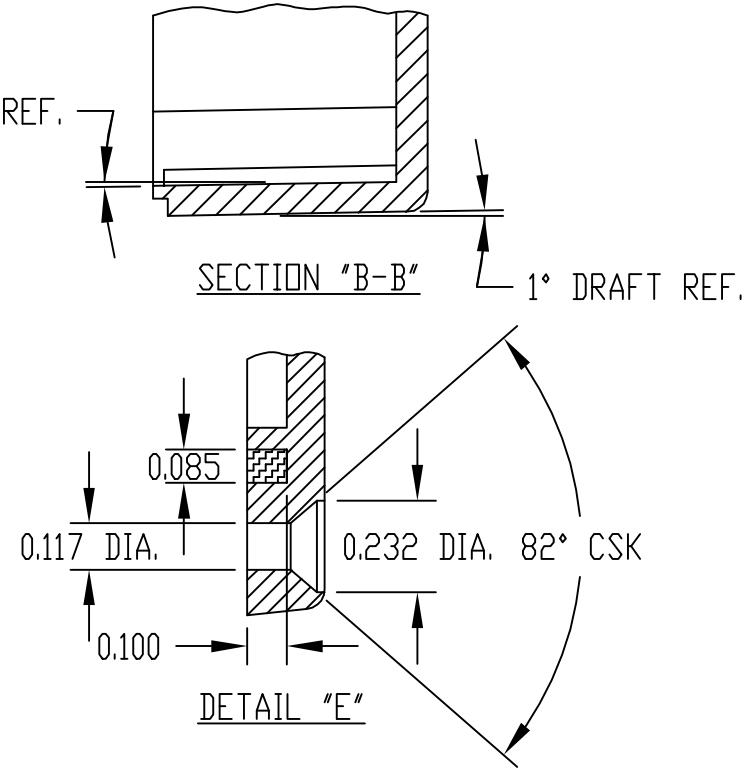
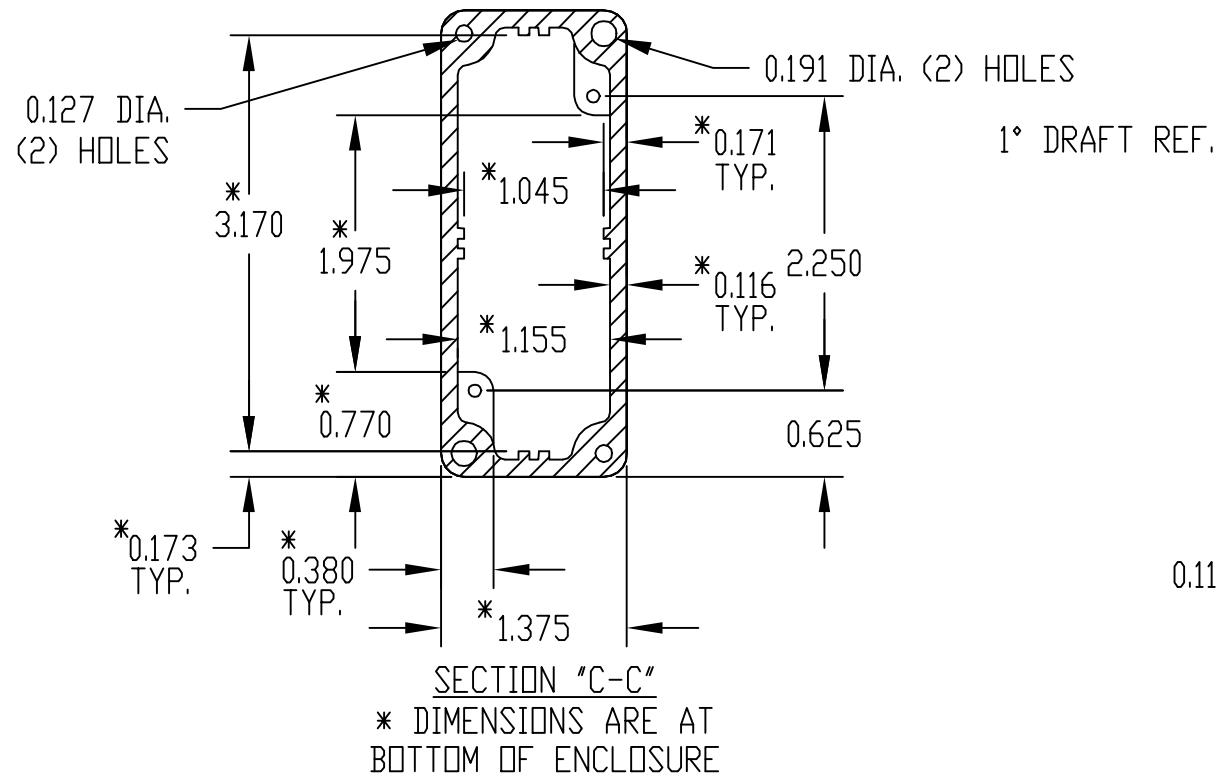
NEMA 4 ENCLOSURE

PART No.

SE1300A, SE1300-AG, SE2800, SE2800-B

REV. DATE

7-14-05

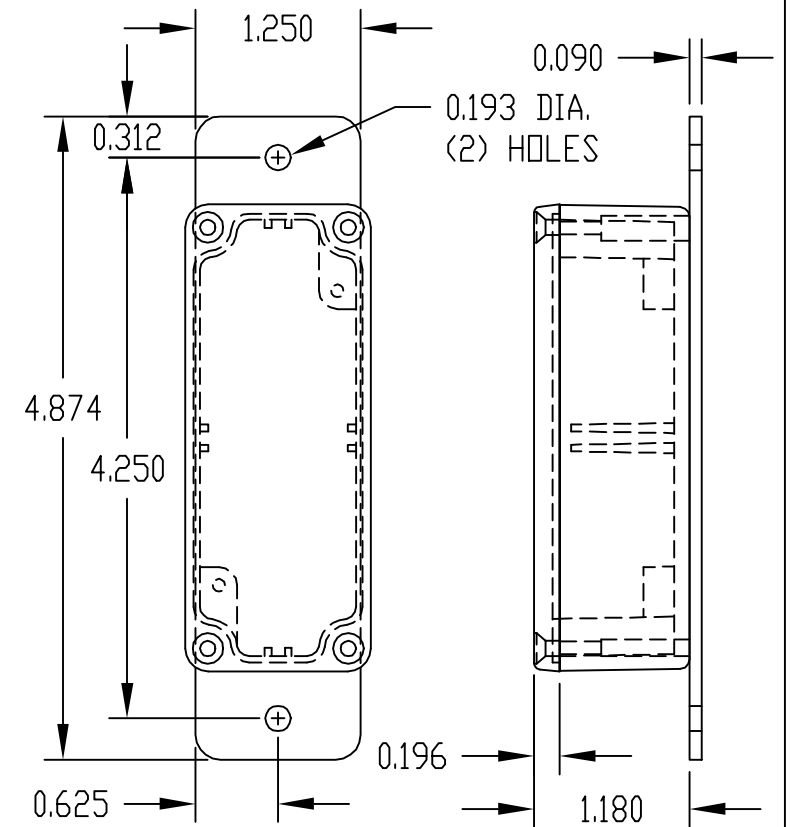
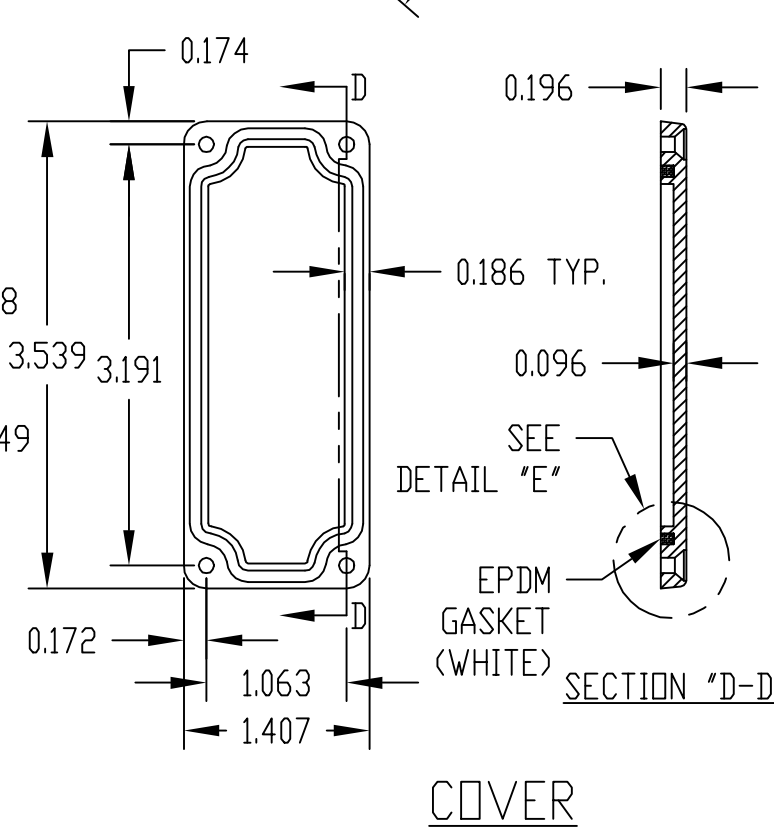
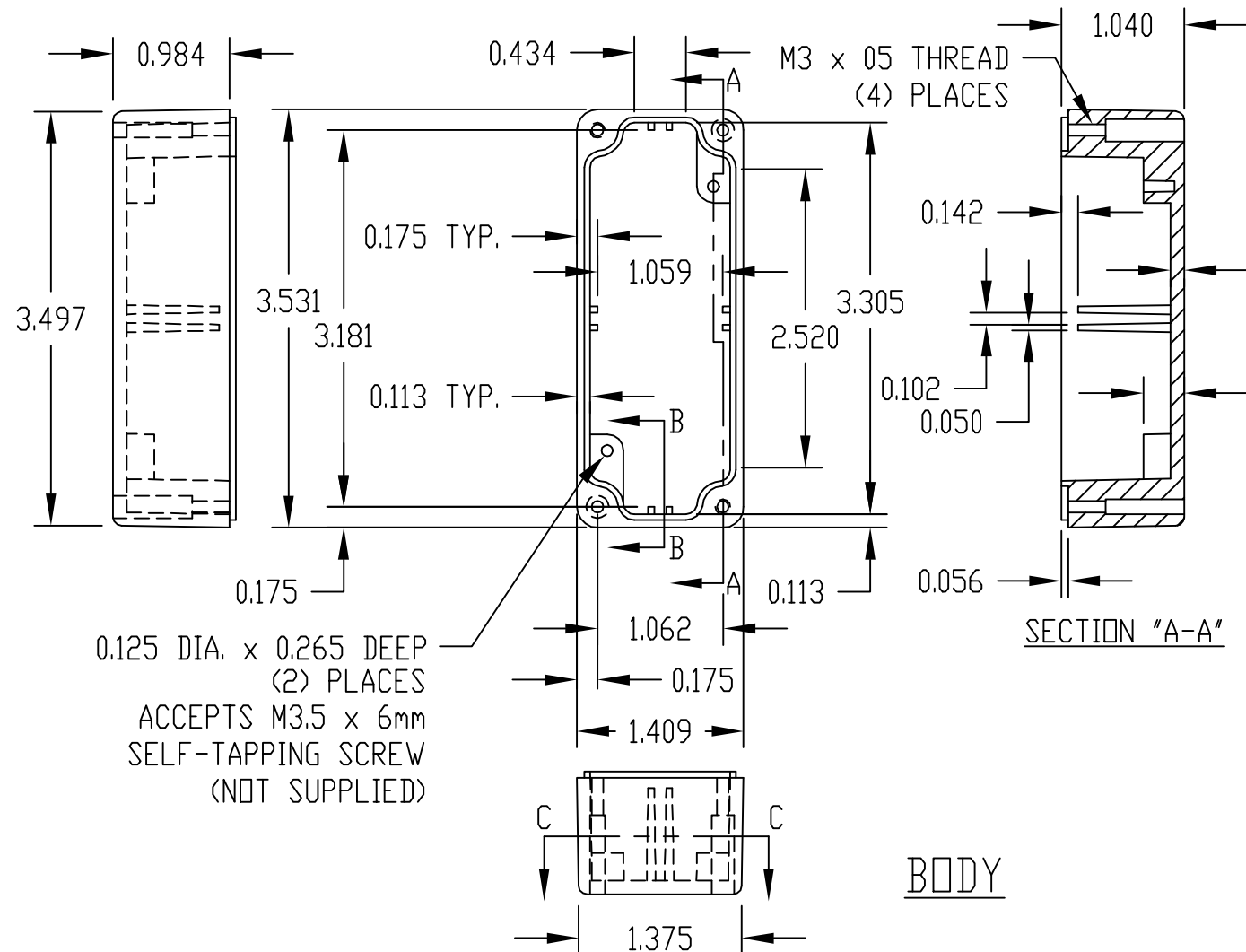


MATERIAL: ALUMINUM ALLOY #ADC-12

FINISH: NATURAL (NO SUFFIX)  
GRAY (SUFFIX -G)  
SMOOTH BLACK (SUFFIX -B)

NOTES:

- 1) FOUR (4) M3 x 10mm (0.393") LG. SCREWS SUPPLIED FOR ASSEMBLY OF COVER TO BODY.
- 2) ALL HOLE DIAMETERS HAVE ±0.005 TOLERANCE  
ALL OTHER DIMENSIONS HAVE ±0.015 TOLERANCE



0.125 DIA. x 0.265 DEEP (2) PLACES ACCEPTS M3.5 x 6mm SELF-TAPPING SCREW (NOT SUPPLIED)

PART NO. SE 2800 & SE 2800-B ARE SUPPLIED WITH A WELDED ON MOUNTING BRACKET ONLY.