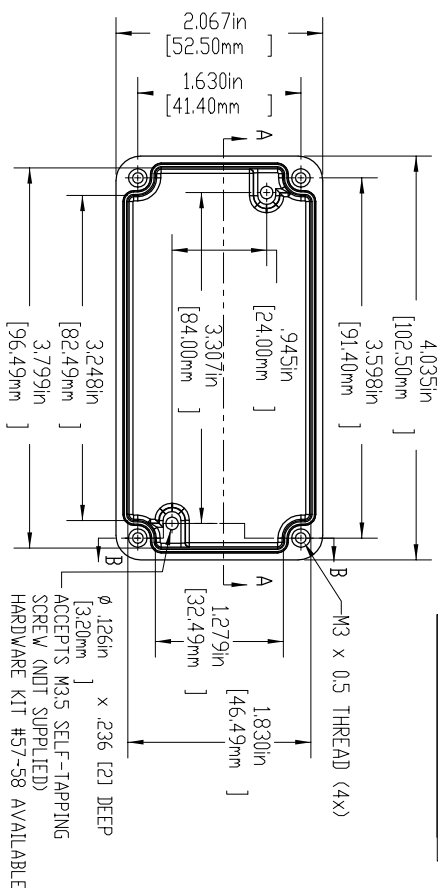


PART NAME NEMA 4X DIE CAST ALUMINUM ENCLOSURE

PART No. SEI320A

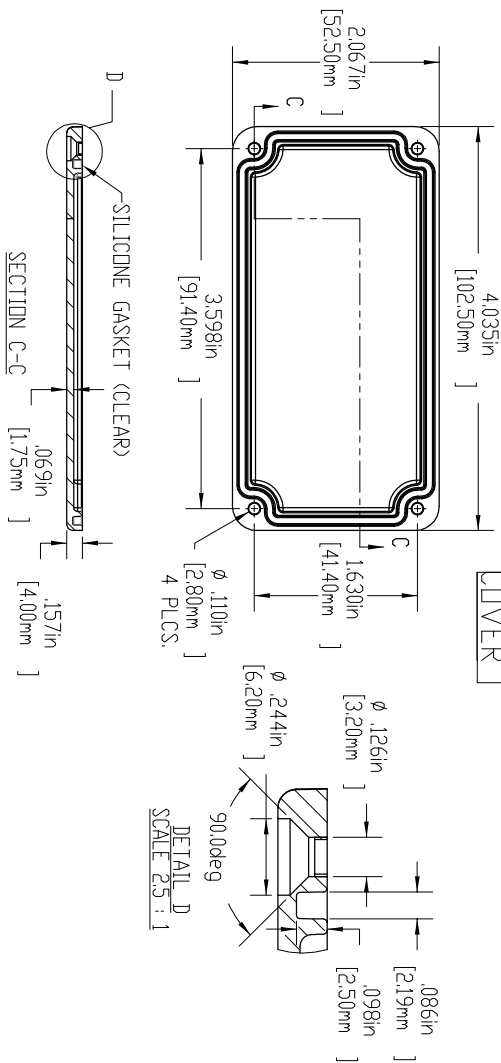
REVISION DATE 8/18/2010

BODY ASSEMBLY



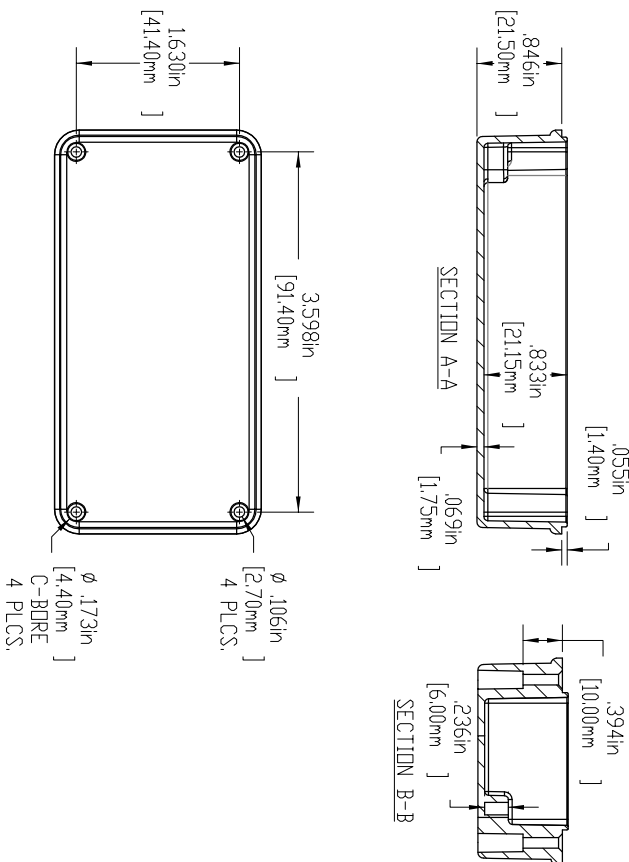
M3 x 0.5 THREAD (4x)
 3.248in [82.49mm]
 3.799in [96.49mm]
 3.20mm x .236 [2] DEEP ACCEPTS M3.5 SELF-TAPPING SCREWS (NOT SUPPLIED) HARDWARE KIT #57-58 AVAILABLE

COVER



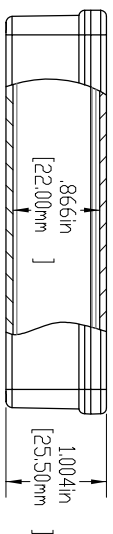
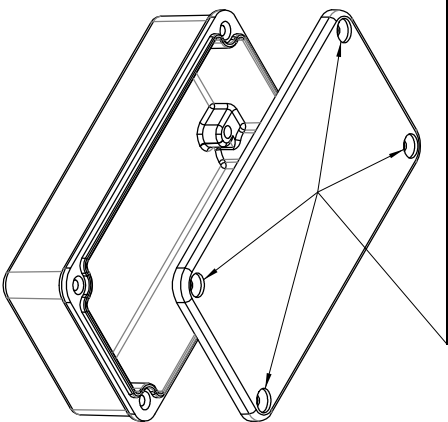
SILICONE GASKET (CLEAR)
 SECTION C-C
 .157in [4.00mm]

ASSEMBLY



ϕ .106in [2.70mm]
 4 PLCS.
 ϕ .173in [4.40mm]
 C-BORE
 4 PLCS.

FOUR (4) M3 x 0.5 x 12mm (472) LG. FLAT HD. STAINLESS STEEL SCREWS SUPPLIED FOR ASSEMBLY OF COVER



MATERIAL : ALUMINUM (ADC-12 ALLOY)
 FINISH NATURAL
 TOLERANCES : ±.015 [±.38]