



# JIT Components, Inc

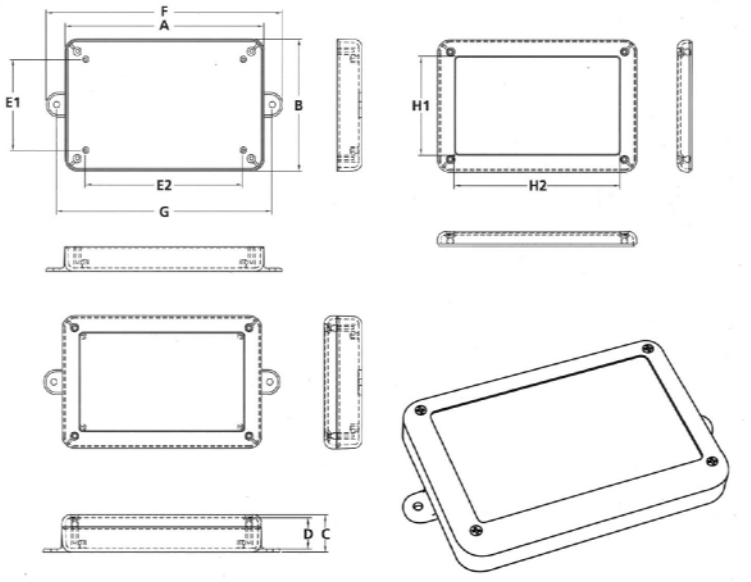
10930 Endeavour Way, Unit A Seminole, FL 33777

Phone: (727)544-9050 Fax: (727)544-9273

Email: [service@jit-components.com](mailto:service@jit-components.com)

## JIT Series JSL

- Includes case, cover and screws.
- Molded in flame retardant ABS.
- Colors: Black, Gray, PC Bone.
- Available with or without PCB mounting bosses.
- Flush, textured or recessed, smooth covers.
- Available with or without tab-style mounting feet.
- Custom perforating and printing also available.



Catalog Number	Length A	Width B	Height C	Inside Depth D	PCB Bosses		Mtg. Boss Height	Mtg. Flange Length F	Mtg. Flange Holes G	Graphic Overlay	
					E1	E2				H1	H2
JSL-30P	4.000	2.030	1.125	0.900	1.190 x 2.808		0.250			1.063 x 3.031	
JSL-30F	4.000	2.030	1.125	0.900	1.190 x 2.808		0.250	5.110	4.500	1.063 x 3.031	
JSL-42P	4.250	2.625	1.265	1.050	1.375 x 3.000		0.250			1.655 x 3.280	
JSL-42F	4.250	2.625	1.265	1.050	1.375 x 3.000		0.250	5.365	4.750	1.655 x 3.280	
JSL-53P	5.625	3.250	1.150	0.930	2.000 x 4.375		0.250			2.280 x 4.655	
JSL-53F	5.625	3.250	1.150	0.930	2.000 x 4.375		0.250	6.750	6.130	2.280 x 4.655	
JSL-57P	5.625	3.250	1.375	1.160	2.000 x 4.375		0.250			2.280 x 4.655	
JSL-57F	5.625	3.250	1.375	1.160	2.000 x 4.375		0.250	6.750	6.130	2.280 x 4.655	
JSL-64P	6.015	4.010	1.140	0.925	2.755 x 4.760		0.250			3.040 x 5.030	
JSL-64F	6.015	4.010	1.140	0.925	2.755 x 4.760		0.250	7.140	6.520	3.040 x 5.030	
JSL-68P	6.015	4.010	1.500	1.290	2.755 x 4.760		0.250			3.040 x 5.030	
JSL-68F	6.015	4.010	1.500	1.290	2.755 x 4.760		0.250	7.140	6.520	3.040 x 5.030	