



# JIT Components, Inc

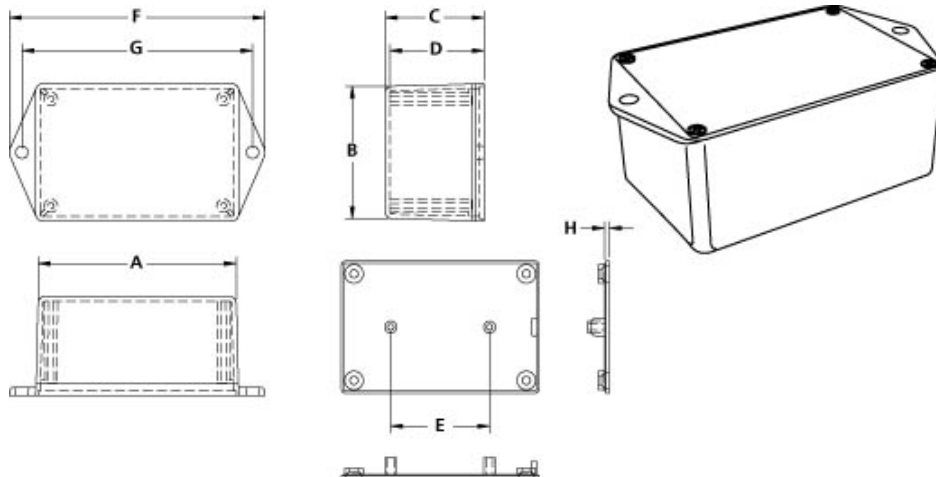
10930 Endeavour Way, Unit A Seminole, FL 33777

Phone: (727)544-9050 Fax: (727)544-9273

Email: [service@jit-components.com](mailto:service@jit-components.com)

## JIT Series JTS

- Includes case, cover and screws.
- Molded in flame retardant ABS.
- Colors: Black, Gray, PC Bone.
- Available with or without PCB mounting bosses.
- Flush mounted cover
- Available with or without mounting feet.
- Custom perforating and printing also available.



Catalog Number	Length A	Width B	Height C	Inside Depth wo cover D	PCB Bosses E	Mtg. Feet Length F	Mtg. Feet Holes G	Cover Thickness H
JTS-1741P	4.000	1.750	1.000	.930	3.000			.075
JTS-1741F	4.000	1.750	1.000	.930	3.000	4.875	4.500	.075
JTS-2309P	3.000	2.000	.900	.825	1.750			.075
JTS-2309F	3.000	2.000	.900	.825	1.750	3.860	3.490	.075
JTS-2315P	3.000	2.000	1.500	1.425	1.750			.075
JTS-2315F	3.000	2.000	1.500	1.425	1.750	3.875	3.500	.075
JTS-2409P	4.000	2.125	.900	.830	3.000			.085
JTS-2409F	4.000	2.125	.900	.830	3.000	4.875	4.500	.085
JTS-2420P	4.000	2.125	2.000	1.930	3.000			.085
JTS-2420F	4.000	2.125	2.000	1.930	3.000	4.875	4.500	.085
JTS-3315P	3.000	3.000	1.500	1.425	1.750			.075
JTS-3315F	3.000	3.000	1.500	1.425	1.750	3.875	3.500	.075
JTS-3420P	4.375	3.125	2.000	1.900	3.300			.100
JTS-3420F	4.375	3.125	2.000	1.900	3.300 x 2.050	5.500	5.000 x 1.750	.100