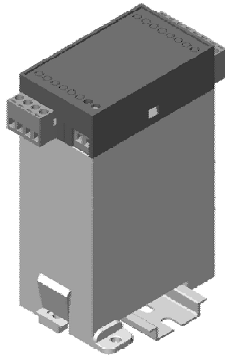




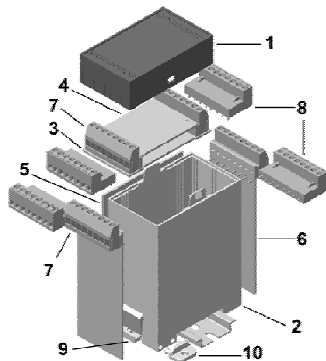
JIT Components, Inc

VE-45



- * Dimensions : 45mm (1.772 in) x 75mm (2.953 in) x 123mm (4.843 in)
- * Din Rail as well as wall mounting
- * Snap together design
- * Base PCB, Display PCB and Horizontal and Vertical PCBs
- * Integral molded PCB guides in all directions
- * Max. 16 terminals (8 each side) – fixed or pluggable
- * Knockout blanks for individual terminal configuration
- * Terminals can be mounted on Base as well as Vertical PCBs
- * Terminals are optional – enclosure supplied with or without terminals
- * IP-20 Protection
- * Machining and Printing optional

SPECIFICATIONS



1. Top Cover	5. Vertical PCB	8. Pluggable Terminals
2. Base	6. Horizontal PCB	9. Mounting Clips
3. Base PCB	7. Fixed Terminals	10. Wall mounting bracket
4. Display PCB		

MATERIAL	ORDERING INFO	
Base and Top Cover:	VE-45-01	Case complete without terminals
ABS UL94 V0	VE-45-02	Case complete with 16 fixed terminals
Polycarbonate UL94 V0	VE-45-03	Case complete with 16 pluggable terminals
COLOR	VBR	Bracket for Wall/Surface mount (optional)
Base: Lt Gray (RAL 7035)	VPB-45	Base PCB (for prototype making)
Top Cover: Black	VPH-45	Horizontal PCB (for prototype making)

