

"Intelligent designs for high productivity"

# 4 MODULE ENCLOSURE LOW PROFILE

## M36 DIN-RAIL LIGHT LOW

**SERIES**  
**M4**  
**LOW**

### TECHNICAL DATA:

#### TOP PART:

Material: Lexan  
 Colour: Grey (RAL 7035) other on request  
 Max.temperature: 100 °C  
 Width: 70.0 mm  
 (4 modules)

#### BASE PART:

Material: Noryl VO 1550  
 Colour: Black (RAL 9005)other on request  
 Max.temperature: 100 °C  
 Terminals: Up to 12 fixed or  
 (2x6) plugable  
 Mounting: DIN-rail (EN50022)

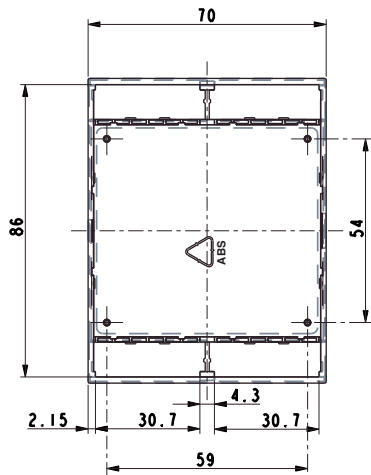
Light lowcost 4 modules enclosure.

With the optional terminal covers you can have a simple and low cost two pcs enclosure or you can use the optional covers to enable you the flexibility to build your customized DIN-rail enclosures.

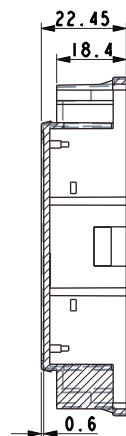
The possibility of mixing covers with different openings for connectors gives not only very wide options of connections, but also a very good price.

Due to designed covers it is possible to add different and individual features to the design.

Many different covers available



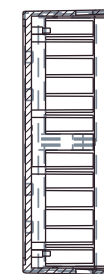
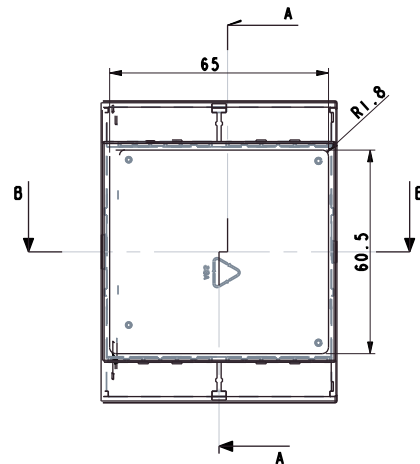
SECTION A-A



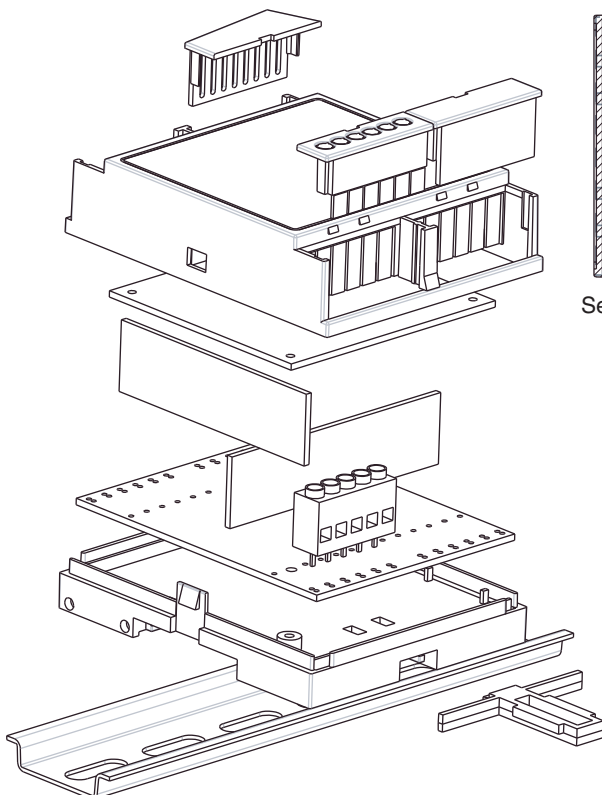
Interconnections in form of pin headers and distance pcs/spacers from board level to board level are available.

Options: Printed numbers and symbols on the cover and colour coded covers.

Series M4 is, if requested, available with customer specified holes in front. Prototype PCB, customized label and packing are available.



Section B-B



Description Type M4 Light Low	Partnumber
Top part,label area 61,8 x 60,3	p/n 7069004101
Plugable terminal 6 way, horizontal	p/n 3955606780
Plugable terminal 6 way, horizontal	p/n 3955706380
Fixed terminal 6 way	p/n 3950140608
Cover ventilated	p/n 8845350401
Cover, closed	p/n 8845350101
Base PCB for type M4	p/n 4999000700
Lower cover, knock out	p/n 8845350501
Base part type M4 with clip + 2 screws	p/n 4969002701
Low cover with oval hole	p/n 8845350201

The codes are only an option, you do not necessarily need them all.