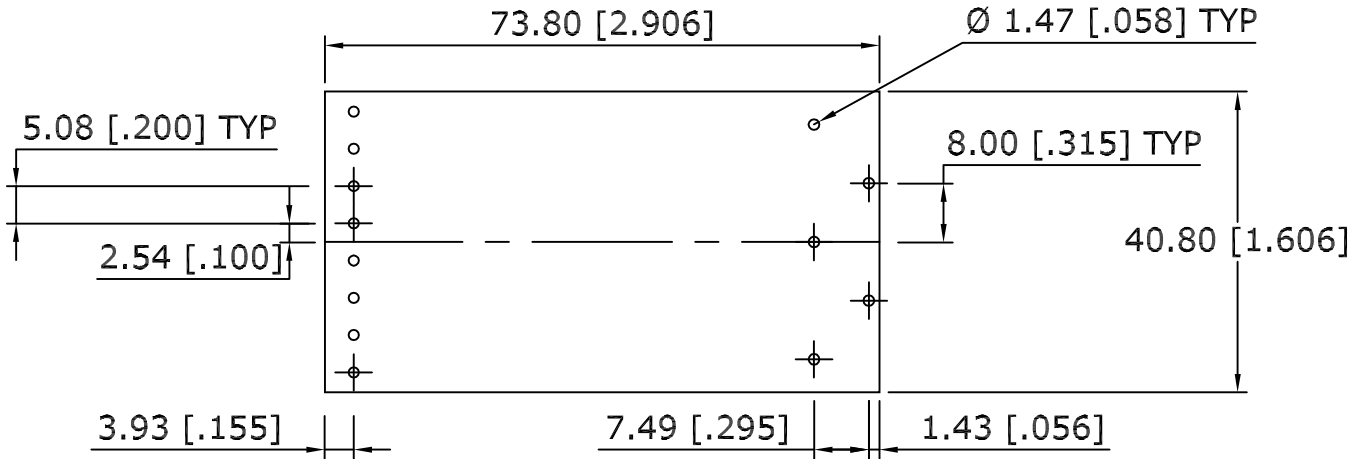



DR450 TOP PCB



| | | |
|----------------------------------------------------------------------------------------------------------------------------------------------------------------------------|----------------------------------|------------------------|
|  | www.jit-components.com | |
| | DR450 MODIFIED TOP PCB LAYOUT | |
| TOLERANCES UNLESS OTHERWISE SPECIFIED 2 PLACE DECIMALS (IN) ± .02 3 PLACE DECIMALS (IN) ± .005 4 PLACE DECIMALS (IN) ± .0005 ANGLES ± .5° METRIC (MM) ± .15 | DESIGNER JRK SHEET 1 OF 1 | DATE 05/08/02 SCALE |
| MATERIAL | PART # | |