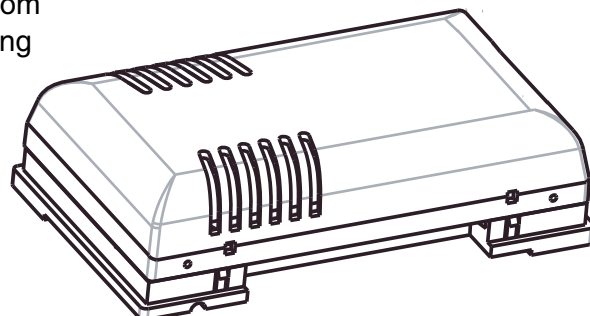


ENCLOSURE FOR WALL MOUNTING

SERIES
631

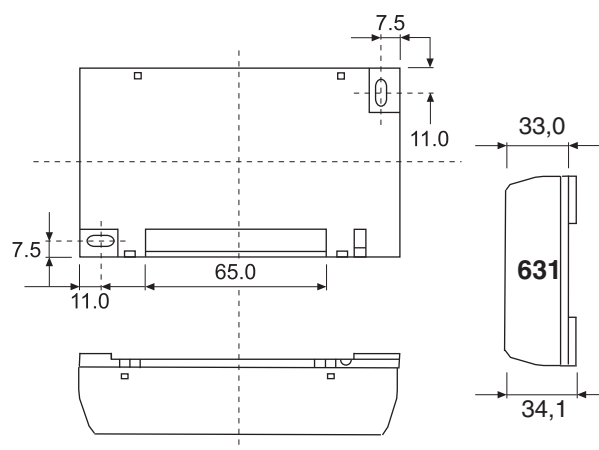
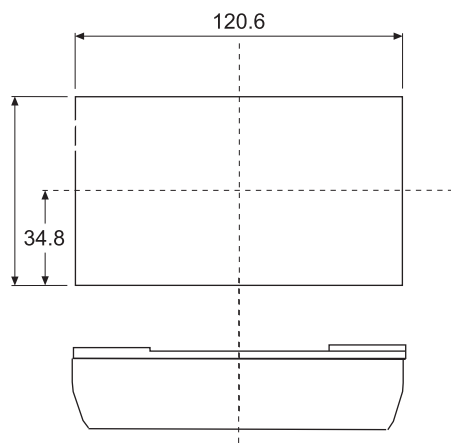
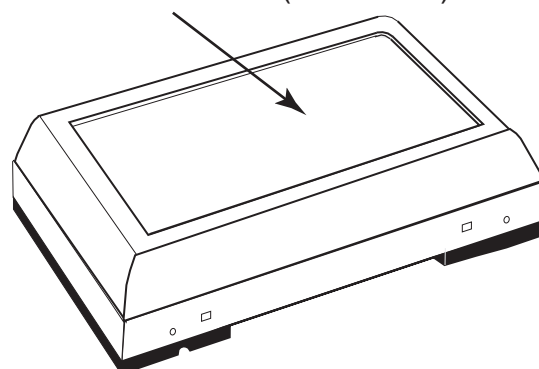
Designed enclosure for wallmounting with or without label recess and ventilation. Suitable for alarms, room sensors etc. Possibility for 2 PCB's. PCB and packing are available. Standard colour is white/black but other colours can be supplied onrequest. Label in polycarbonate available in customer specified colours. Base part available with cold press fixed taps or for self tapping screws to fix PCB.



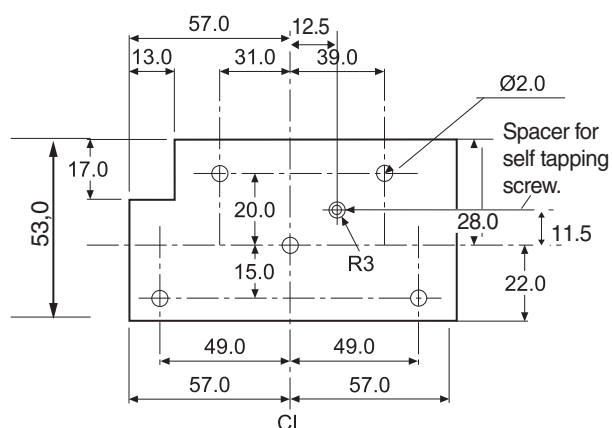
TECHNICAL DATA:

Top part: Cylcoloy C 2800
 Base part: Lexan 940
 Colour: White/black (RAL9010/RAL9005)
 Temperature range: -30 - +100°C
 Self-extinguishing: Acc. to UL94-V0

Label recess (97x46 mm)



PCB DIMENSIONS:



● All measurements are in mm.

TYPE 631	ORDER CODE:
Top part	p/n 0669701621
Base part w.cold press taps	p/n 0669000609
Base part f.self tapping screws	p/n 0699000610
Raw PCB	p/n 4999000600
Packing	p/n 2086631000
Light conductor	p/n 4972001258
Push button switch	p/n 4955127313