

JIT Components, Inc.

10930 Endeavour Way, Unit A Seminole FL 33777

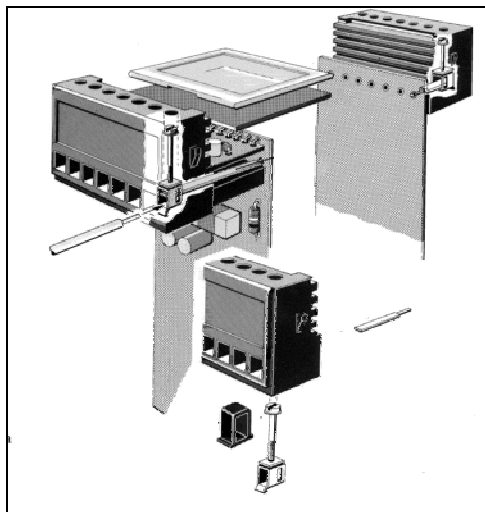
Phone: (727) 544-9050

Fax: (727) 544-9273

Email: service@jit-components.com

www.jit-components.com

DR14 – DR70 Terminal Block



FOR USE WITH				
DR14	DR16	DR30	DR46	DR70
MATERIAL				
Body	PC UL94 V1			
Screw Clamp	Yellow Chrome Plated Steel			
Pin	Tinned Nickel Plated Bronze			
SPECIFICATIONS				
Color	Black			
Maximum Load	20 Amp			
Max. Wire Size	12 AWG			

DESCRIPTION	PART NUMBER
DR14 Narrow Terminal	914810
DR14 Wide Terminal	914820
DR16 Narrow Terminal	914830
DR16 Wide Terminal	914840
DR30 Narrow Terminal	914850
DR30 Wide Terminal	914860
DR46 Narrow Terminal	914890
DR46 Wide Terminal	914900
DR70 Narrow Terminal	914870
DR70 Wide Terminal	914880