

JIT Components, Inc.

10930 Endeavour Way, Unit A Seminole FL 33777

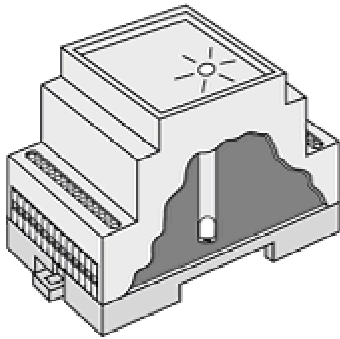
Phone: (727) 544-9050

Fax: (727) 544-9273

Email: service@jit-components.com

www.jit-components.com

DR Light Conductor



FOR USE WITH					
DR175	DR225	DR350	DR525	DR700	DR1050
DR1570					
MATERIAL					
Light Conductor			Clear PVC		

The Light Conductor allows light from a SMD or 3 mm leaded LED to be transmitted through the top of the enclosure.

DESCRIPTION	PART NUMBER
Light Conductor for DR175, DR225, DR350, DR525, DR700, DR1050, DR1570	4972011259