

PART NAME NEMA 4X PLASTIC BDX W/EXTERNAL MTG. BRKT.

PART No.

SEI321-MB

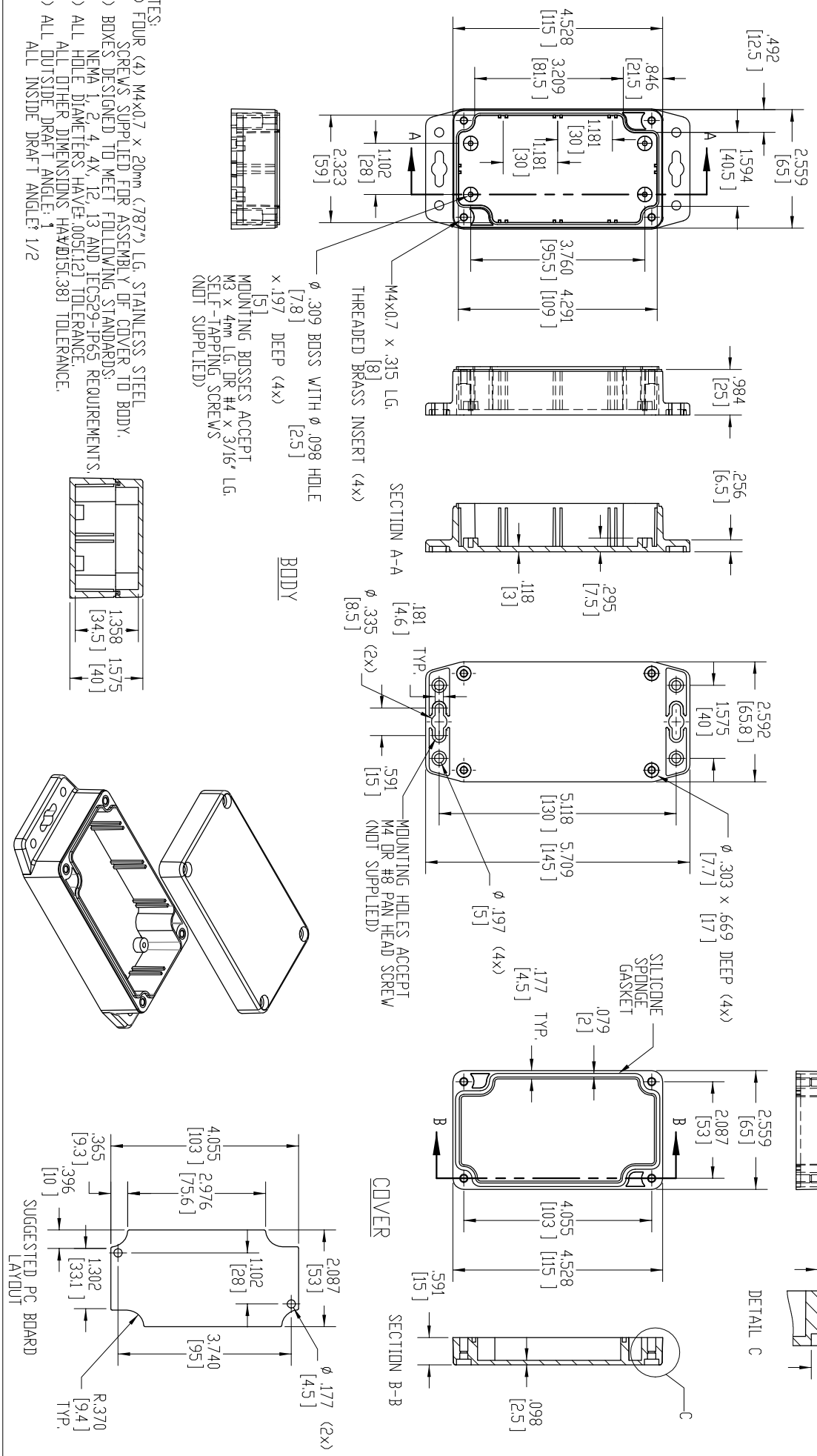
SEI321-CMB

SEI321-DGMB

REVISION DATE

5-26-11

MATERIAL & FINISH:
 (-MB SUFFIX PART NO.) POLYCARBONATE UL 94-HB, UV STABILIZED, SERVICE TEMPERATURE RANGE: *C40D +120 *C, LIGHT GRAY BODY & COVER.
 (-CMB SUFFIX PART NO.) SAME AS -MB EXCEPT CLEAR COVER.
 (-DGMB SUFFIX PART NO.) ABS UL 94-HB, SERVICE TEMPERATURE RANGE: *C40D +80 *C, DARK GRAY BODY & COVER.



NOTES:

- 1) FOUR (4) M4x0.7 x 20mm (.787") LG. STAINLESS STEEL SCREWS SUPPLIED FOR ASSEMBLY OF COVER TO BODY.
- 2) BODIES DESIGNED TO MEET FOLLOWING STANDARDS:
 NEMA 1, 2, 4, 4X, 12, 13 AND IEC529-IP65 REQUIREMENTS.
- 3) ALL HOLE DIAMETERS HAVE .005(12) TOLERANCE.
 ALL OTHER DIMENSIONS HAVE .015(.38) TOLERANCE.
- 4) ALL OUTSIDE DRAFT ANGLE: 1/2
 ALL INSIDE DRAFT ANGLE: 1/2

BODY

COVER

SECTION A-A

SECTION B-B

DETAIL C

SUGGESTED PC BOARD LAYOUT