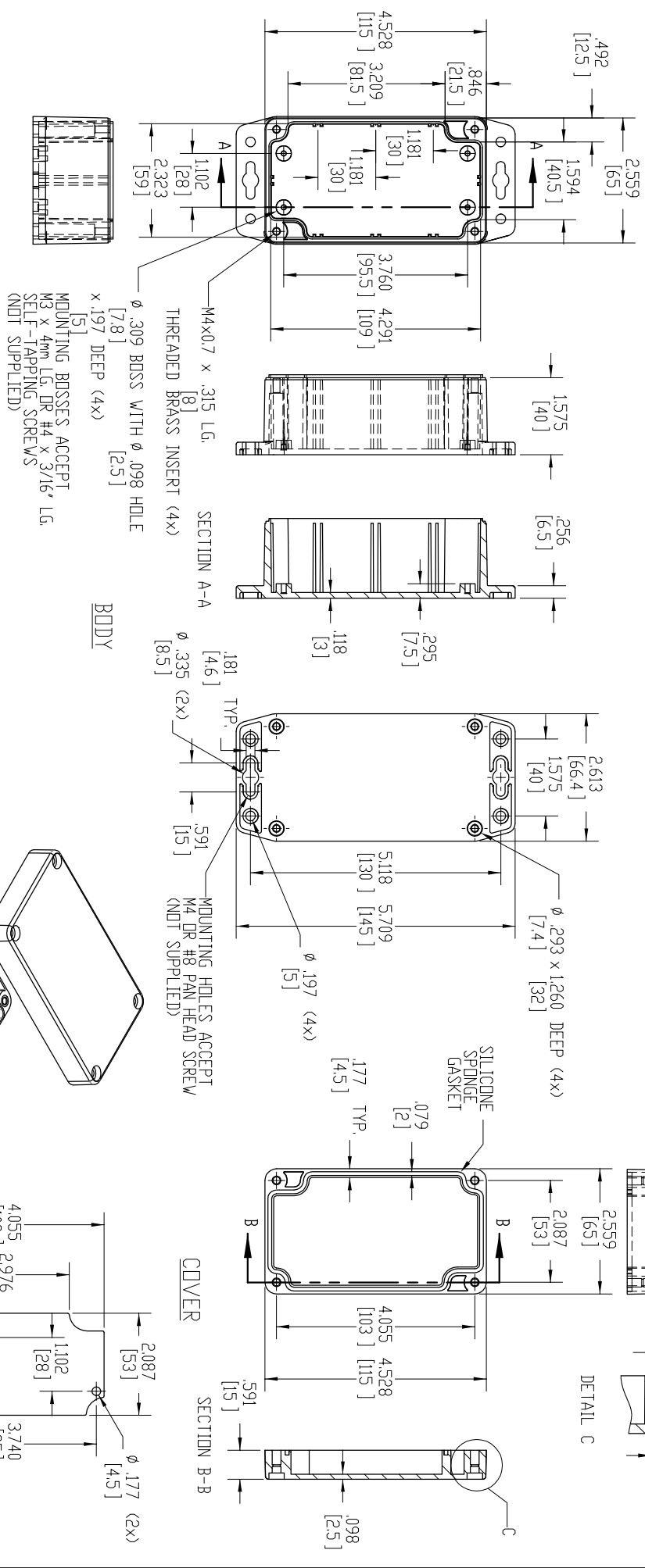


PART NAME	NEMA 4X PLASTIC BDX W/EXTERNAL MTG. BRKT.	PART No.	SEI322-MB	SEI322-CMB	SEI322-DGMB	REVISION DATE	5-26-11
-----------	---	----------	-----------	------------	-------------	---------------	---------

MATERIAL & FINISH:  
 (-MB) SUFFIX PART NO.) POLYCARBONATE UL94-HB, UV STABILIZED, SERVICE TEMPERATURE RANGE: +20 °C, LIGHT GRAY BODY & COVER  
 (-CMB) SUFFIX PART NO.) SAME AS -MB EXCEPT CLEAR COVER  
 (-DGMB) SUFFIX PART NO.) ABS UL94-HB, SERVICE TEMPERATURE RANGE: +400 +80 °C, DARK GRAY BODY & COVER



- NOTES:
- 1) FOUR (4) M4x0.7 x 20mm (.787") LG. STAINLESS STEEL SCREWS SUPPLIED FOR ASSEMBLY OF COVER TO BODY.
  - 2) BODIES DESIGNED TO MEET FOLLOWING STANDARDS:  
NEMA 1, 2, 4, 4X, 12, 13 AND IEC529-IP65 REQUIREMENTS.
  - 3) ALL HOLE DIAMETERS HAVE .005(12) TOLERANCE.  
ALL OTHER DIMENSIONS HAVE .015(.381) TOLERANCE.
  - 4) ALL OUTSIDE DRAFT ANGLE: 1/2  
ALL INSIDE DRAFT ANGLE: 1/2

