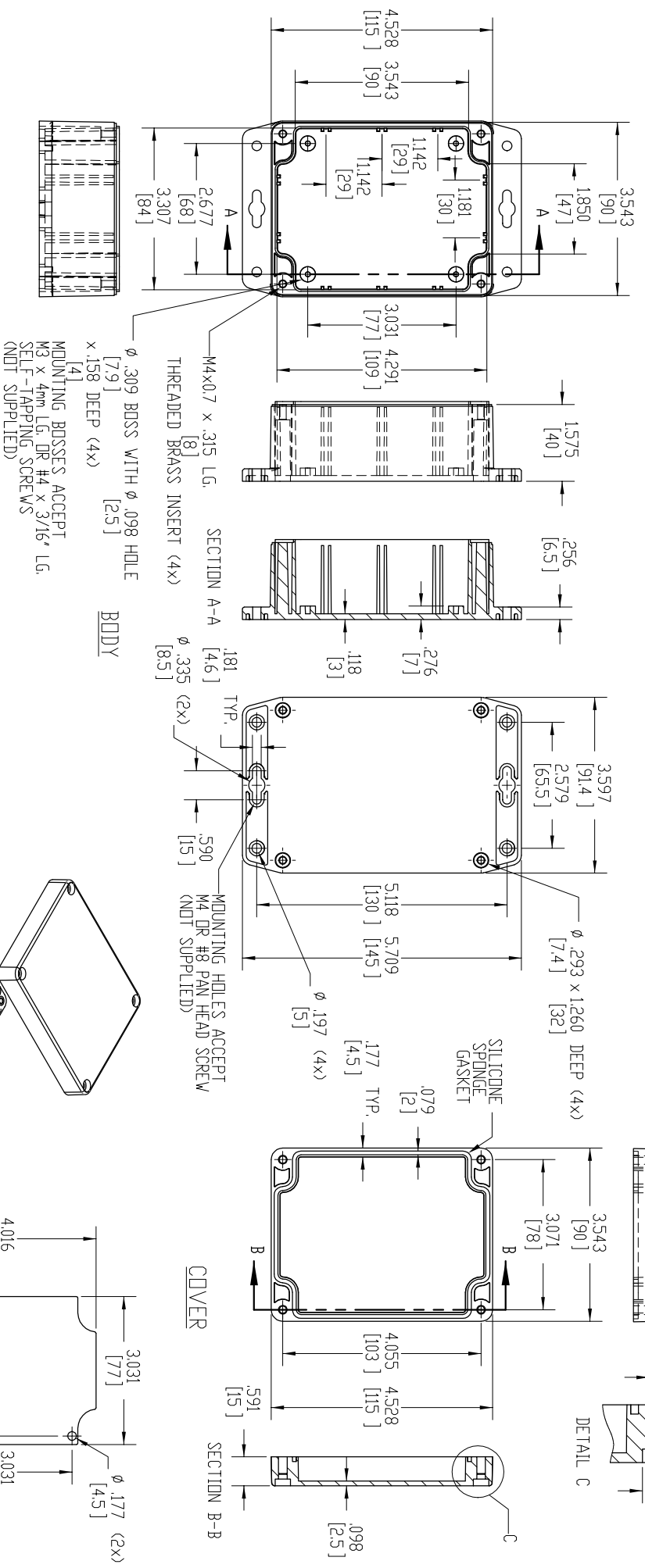


PART NAME	NEMA 4X PLASTIC BDX W/EXTERNAL MTG. BRKT.	PART No.	SE1323-MB	SE1323-CMB	SE1323-DGMB	REVISION DATE	5-26-11
-----------	---	----------	-----------	------------	-------------	---------------	---------

MATERIAL & FINISH:
 (-MB SUFFIX PART NDT) POLYCARBONATE UL-94-HB, UV STABILIZED, SERVICE TEMPERATURE RANGE: +40D +120 °C, LIGHT GRAY BODY & COVER.
 (-CMB SUFFIX PART NDT) SAME AS -MB EXCEPT CLEAR COVER.
 (-DGMB SUFFIX PART NDT) ABS UL-94-HB, SERVICE TEMPERATURE RANGE: +40D +80 °C, DARK GRAY BODY & COVER.



- NOTES:
- FOUR (4) M4x0.7 x 20mm (.787") LG. STAINLESS STEEL SCREWS SUPPLIED FOR ASSEMBLY OF COVER TO BODY.
 - BOXES DESIGNED TO MEET FOLLOWING STANDARDS:
NEMA 1, 2, 4, 4X, 12, 13 AND IEC529-IP65 REQUIREMENTS.
 - ALL HOLE DIAMETERS HAVE .005(12) TOLERANCE.
ALL OTHER DIMENSIONS HAVE .015(.381) TOLERANCE.
 - ALL OUTSIDE DRAFT ANGLE: 1/2
ALL INSIDE DRAFT ANGLE: 1/2

