

PART NAME: NEMA 4X PLASTIC BDX W/EXTERNAL MTG. BRKT.

PART No.

SE1325-MB

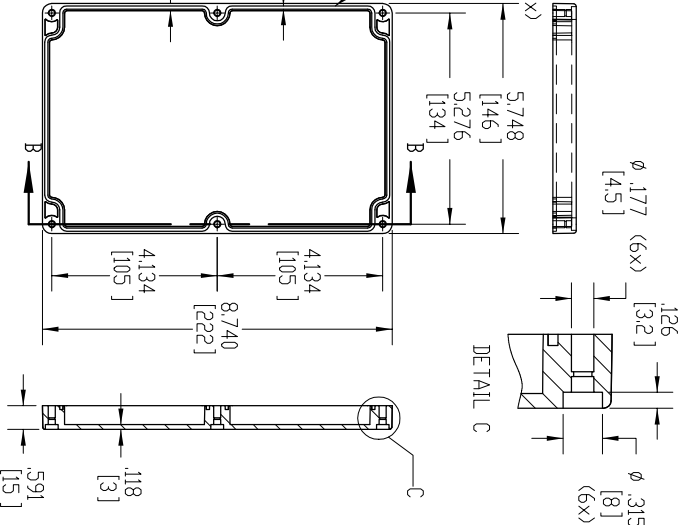
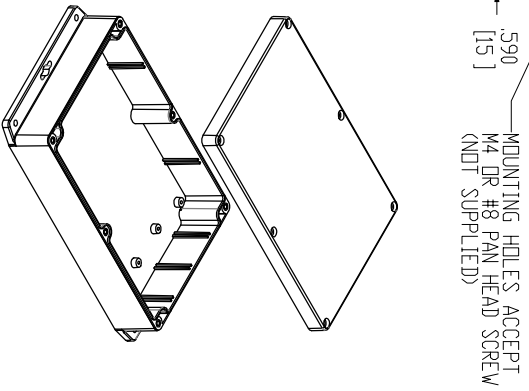
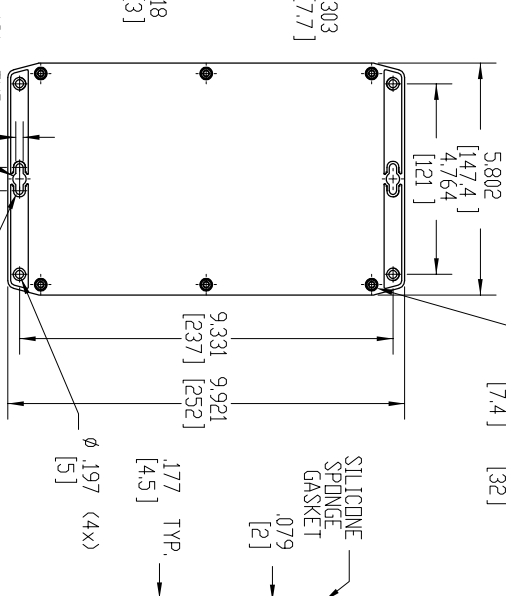
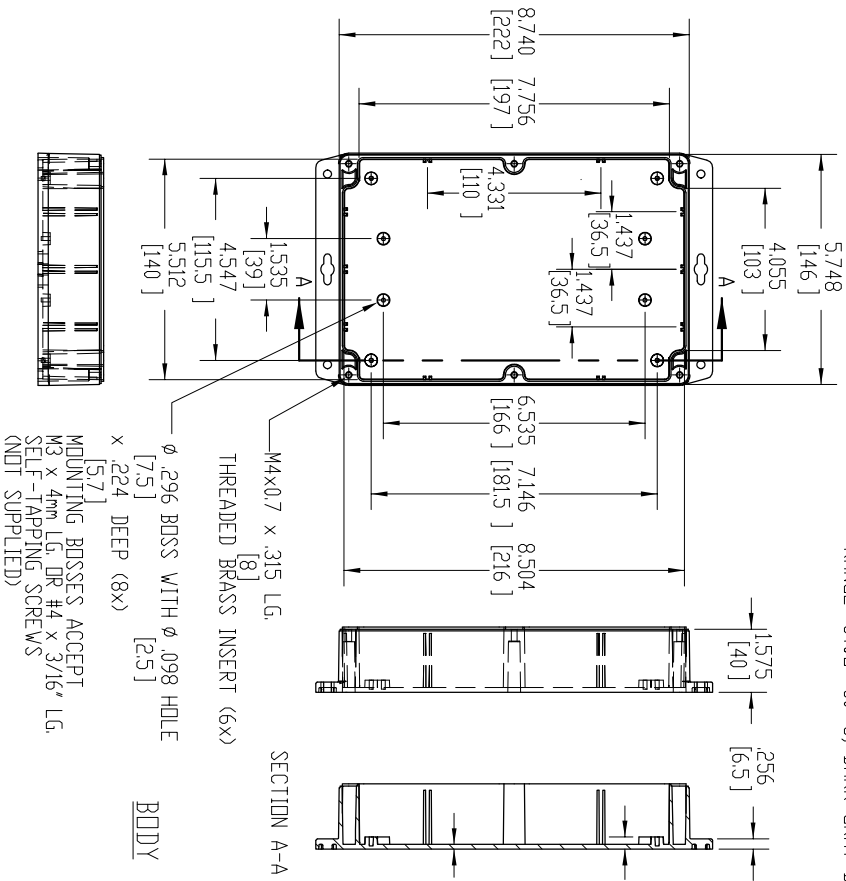
SE1325-CMB

SE1325-DGMB

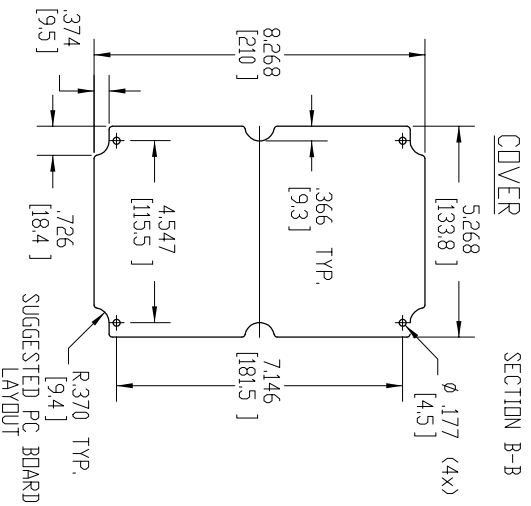
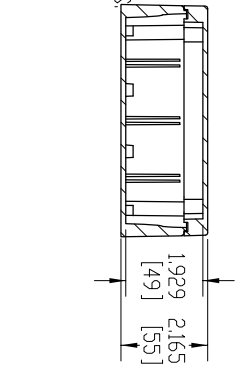
REVISION DATE

5-26-11

MATERIAL & FINISH
 (-MB SUFFIX PART NO.) POLYCARBONATE UL94-HB, UV STABILIZED, SERVICE
 TEMPERATURE RANGE: °E40D +120 °C, LIGHT GRAY BODY & COVER.
 (-CMB SUFFIX PART NO.) SAME AS -MB EXCEPT CLEAR COVER.
 (-DGMB SUFFIX PART NO.) ABS UL94-HB, SERVICE TEMPERATURE
 RANGE: °E40D +80 °C, DARK GRAY BODY & COVER.



- NOTES:
- 1) SIX (6) M4x0.7 x 20mm (.787") LG. STAINLESS STEEL SCREWS SUPPLIED FOR ASSEMBLY OF COVER TO BODY.
 - 2) BOXES DESIGNED TO MEET FOLLOWING STANDARDS:
 NEMA 1, 2, 4, 4X, 12, 13 AND IEC529-IP65 REQUIREMENTS.
 - 3) ALL HOLE DIAMETERS HAVE .005(.12) TOLERANCE.
 ALL OTHER DIMENSIONS HAVE Ø15(.38) TOLERANCE.
 - 4) ALL OUTSIDE DRAFT ANGLE: 1°
 ALL INSIDE DRAFT ANGLE: 1/2°



SUGGESTED PCB BOARD LAYOUT