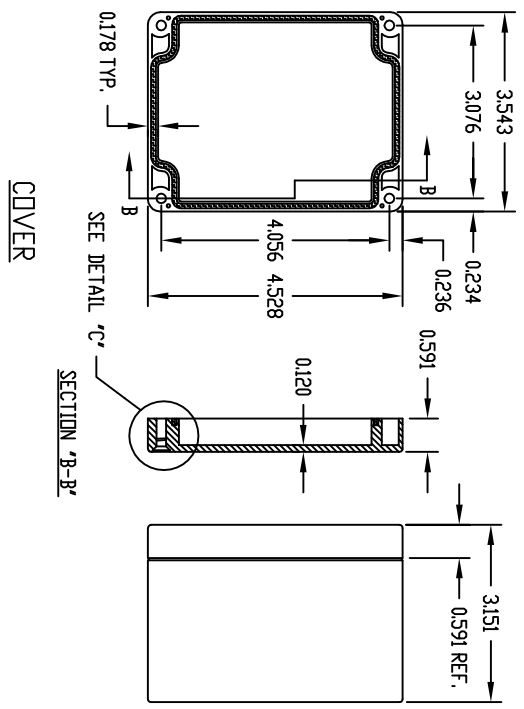
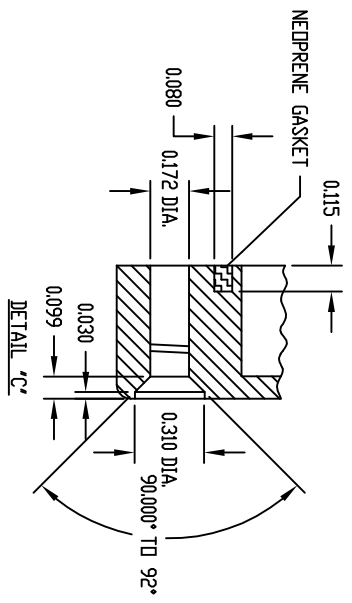
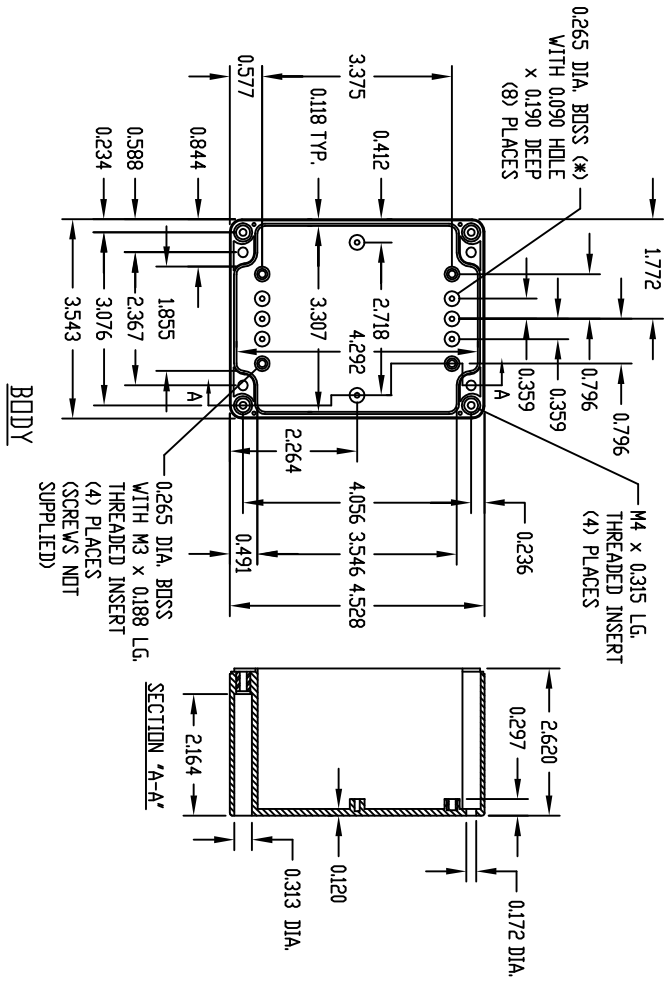


INDUSTRY STANDARDS:
 POLYCARBONATE (LIGHT GRAY AND CLEAR)
 UL94V-2 FLAMMABILITY RATING (UL FILE #E41613)
 UV STABILIZED
 SERVICE TEMPERATURE RANGE: -40°C TO +120°C
 ABS (DARK GRAY)
 UL94-HB FLAMMABILITY RATING (UL FILE #E56070)
 SERVICE TEMPERATURE RANGE: -40°C TO +80°C

(*) MOUNTING BRASSES USE EITHER M2.5 METRIC OR #4 STD. SHEET METAL SCREWS x 0.188" LG. (NOT SUPPLIED)



NOTE: ALL DIMENSIONS HAVE ±0.015 TOLERANCE UNLESS OTHERWISE SPECIFIED.

PART NUMBER	MATERIAL	FINISH	HARDWARE
PN-1328	BODY POLYCARBONATE	COVER LIGHT GRAY	KIT CONTAINS (4) M4 x 20mm (0.787") LG. SCREWS FOR ASSEMBLY
PN-1328-C	POLYCARBONATE	CLEAR	
PN-1328-DG	HIGH-IMPACT ABS	DARK GRAY	

REV	DATE	DESCRIPTION	BY

		www.jit-components.com	
Components, Inc.		SE1328, SE1328C, SE1328DG ENCLOSURE LAYOUT	
TOLERANCES UNLESS OTHERWISE SPECIFIED: 2 PLACE DECIMALS (IN) 3 PLACE DECIMALS (IN) ANGLES METRIC (MM)	DESIGNER SHEET	DATE SCALE	REV
± .02 ± .005 ± .5° ± .15		09/09/98	