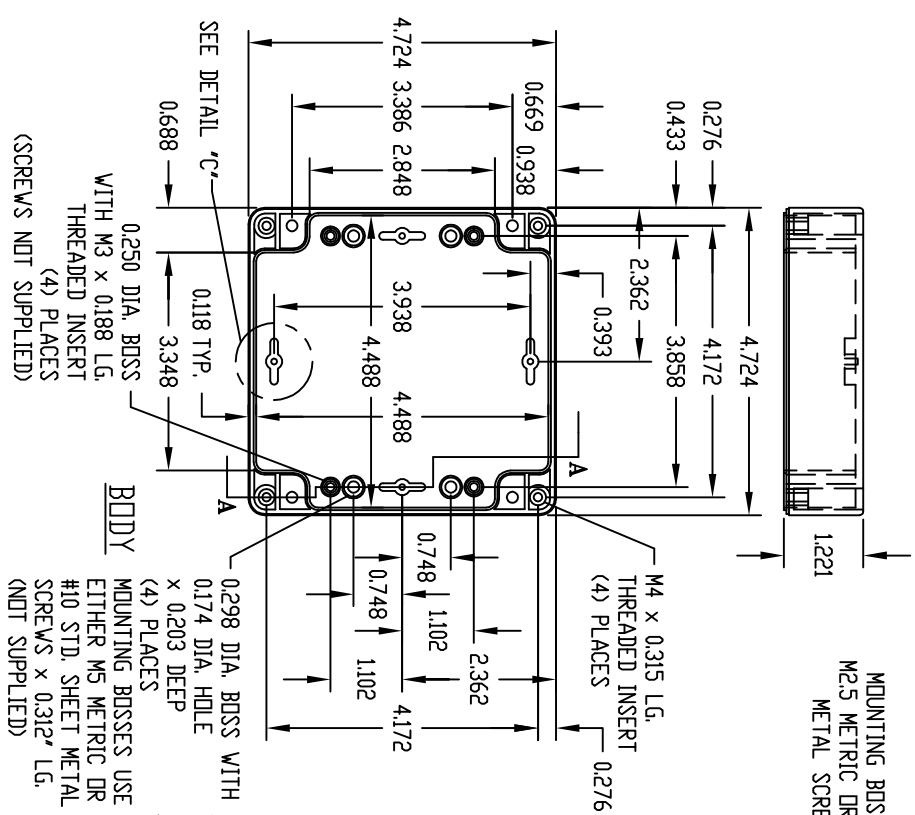


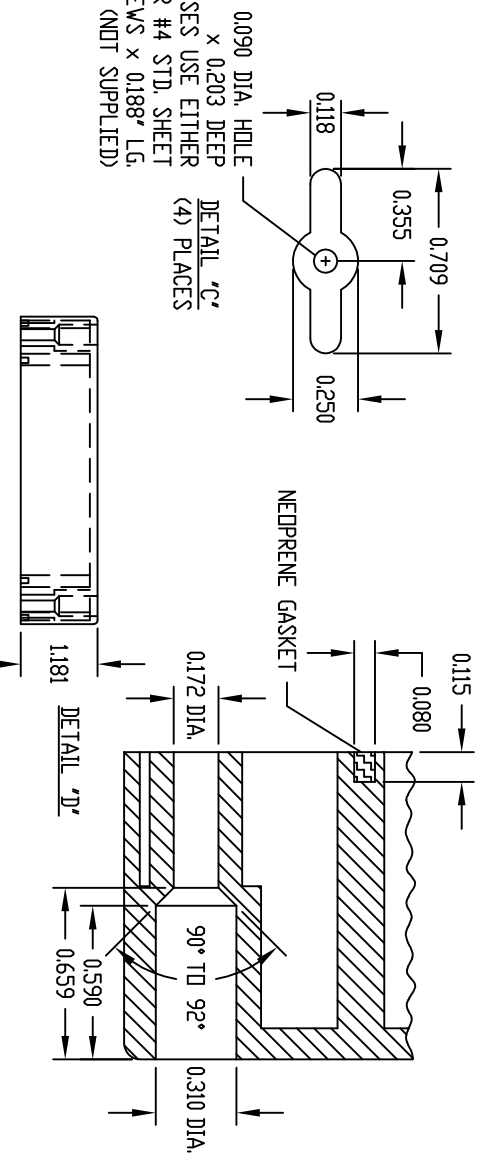
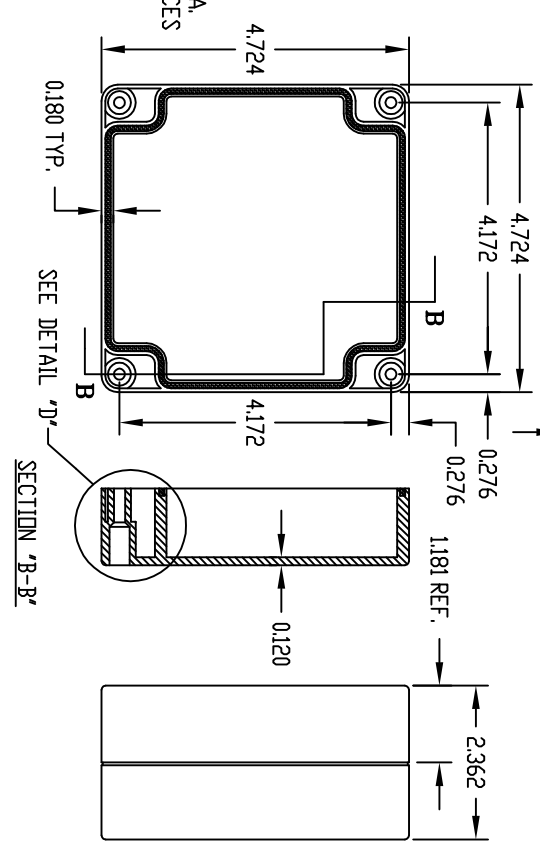
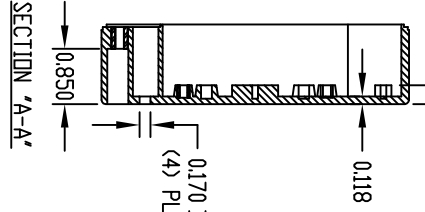
INDUSTRY STANDARDS:
 POLYCARBONATE (LIGHT GRAY AND CLEAR)
 UL94V-2 FLAMMABILITY RATING (UL FILE #E41613)
 UV STABILIZED
 SERVICE TEMPERATURE RANGE: -40°C TD +120°C
 ABS (DARK GRAY)
 UL94-HB FLAMMABILITY RATING (UL FILE #E56070)
 SERVICE TEMPERATURE RANGE: -40°C TD +80°C



NOTE: ALL DIMENSIONS HAVE ±0.015 TOLERANCE UNLESS OTHERWISE SPECIFIED.

BODY
 MOUNTING BOSSES USE EITHER M5 METRIC OR #10 STD. SHEET METAL SCREWS x 0.312" LG. (NOT SUPPLIED)

COVER



REV	DATE	DESCRIPTION	BY

PART NUMBER	MATERIAL	FINISH	HARDWARE
PN-1336	BODY POLYCARBONATE	CLEAR	KIT CONTAINS (4)
PN-1336-C	COVER POLYCARBONATE	LIGHT GRAY	M4 x 20mm (0.787") LG.
PN-1336-DG	BODY ABS	DARK GRAY	SCREWS FOR ASSEMBLY

TOLERANCES UNLESS OTHERWISE SPECIFIED	DESIGNER	DATE
2 PLACE DECIMALS (IN)		09/09/98
3 PLACE DECIMALS (IN)		
ANGLES		
METRIC (MM)		

JIT
 Components, Inc.

www.jit-components.com

SE1336, SE1336C, SE1336DG
 ENCLOSURE LAYOUT