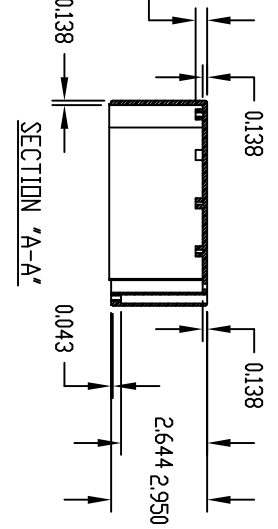
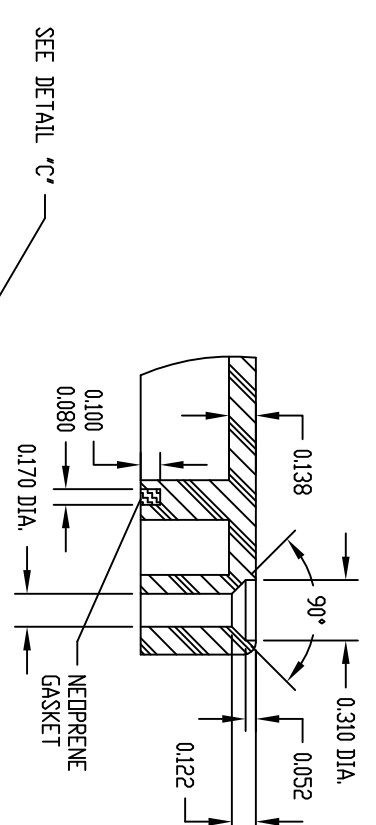
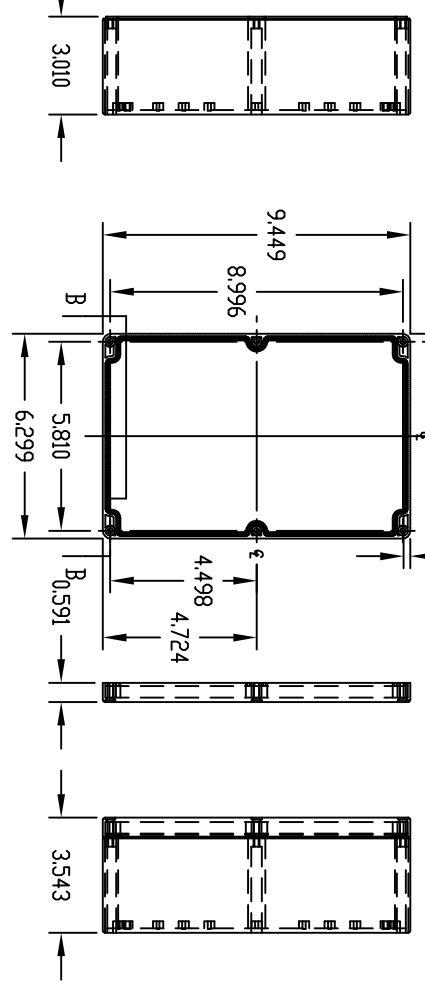
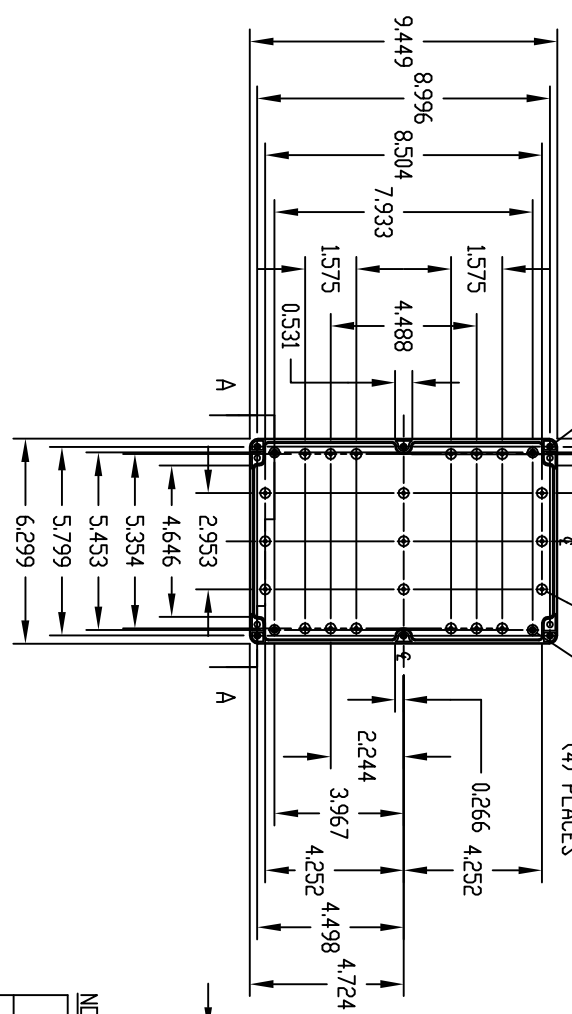


INDUSTRY STANDARDS:

POLYCARBONATE
 (LIGHT GRAY AND CLEAR)
 UL94V-2 FLAMMABILITY
 RATING (UL FILE #E56070)
 #E41613)
 UV STABILIZED
 SERVICE TEMPERATURE
 RANGE: -40°C TO +120°C
 ABS (DARK GRAY)
 UL94-HB FLAMMABILITY RATING
 (UL FILE #E56070)
 SERVICE TEMPERATURE RANGE:
 -40°C TO +80°C



3.150
 2.900
 2.726
 2.677
 2.668
 2.323
 1.476
 M4 x 0.306
 THREADED INSERT
 (6) PLACES
 0.315 DIA. BUSS WITH
 0.097 DIA x 0.236 DEEP HOLE
 (2) PLACES
 M3 x 0.236 LG.
 THREADED INSERT
 (4) PLACES



SECTION 'B-B'

NOTE: ALL DIMENSIONS HAVE ±0.015 TOLERANCE UNLESS OTHERWISE SPECIFIED.

PART NUMBER	MATERIAL	FINISH	HARDWARE
PN-1340	BODY POLYCARBONATE	BODY LIGHT GRAY	KIT CONTAINS (6)
PN-1340-C	COVER POLYCARBONATE	COVER CLEAR	M4 x 20mm (0.787") LG.
PN-1340-DG	BODY HIGH-IMPACT ABS	COVER DARK GRAY	SCREWS FOR ASSEMBLY

REV	DATE	DESCRIPTION	BY

JIT
 Components, Inc.
www.jit-components.com
 SE1340, SE1340C, SE1340DG
 ENCLOSURE LAYOUT

TOLERANCES UNLESS OTHERWISE SPECIFIED	DATE
2 PLACE DECIMALS (IN)	DESIGNER
3 PLACE DECIMALS (IN)	SCALE
ANGLES	REV
METRIC (MM)	
± .02	
± .0005	
± .5°	
± .15	