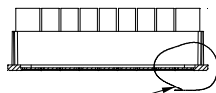
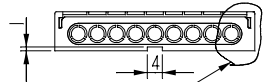


SECTION A-A



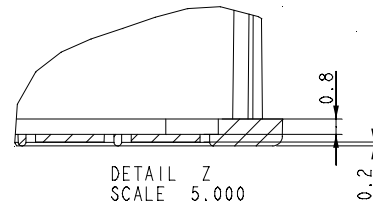
SEE DETAIL Z



SEE DETAIL X

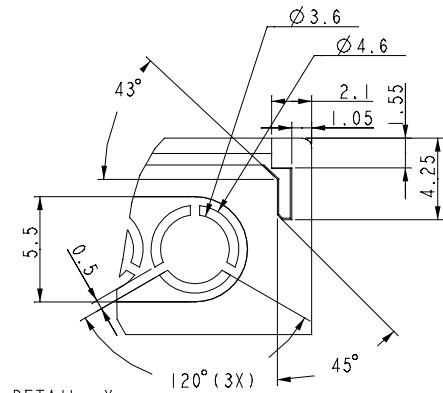
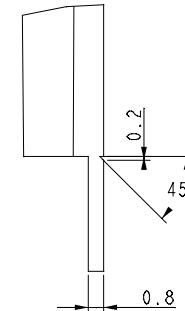


SEE DETAIL Y

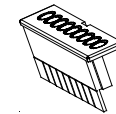


DETAIL Z
SCALE 5.000

DETAIL Y
SCALE 5.000



DETAIL X
SCALE 5.000



Dato: 15-Jun-05		BERNIC A/S	
Skala: 1.000	Kunde:	Sheet 1 of 1	
Tol.:		Materiale: PC	Farge:
Emne nr.: 8.845.525.501	3D model: PLATE_3.MOD	Tegn. nr.: BC 57	
Betegnelse: Type 525 low cover knock out			Fil: PLATE_3.MOD